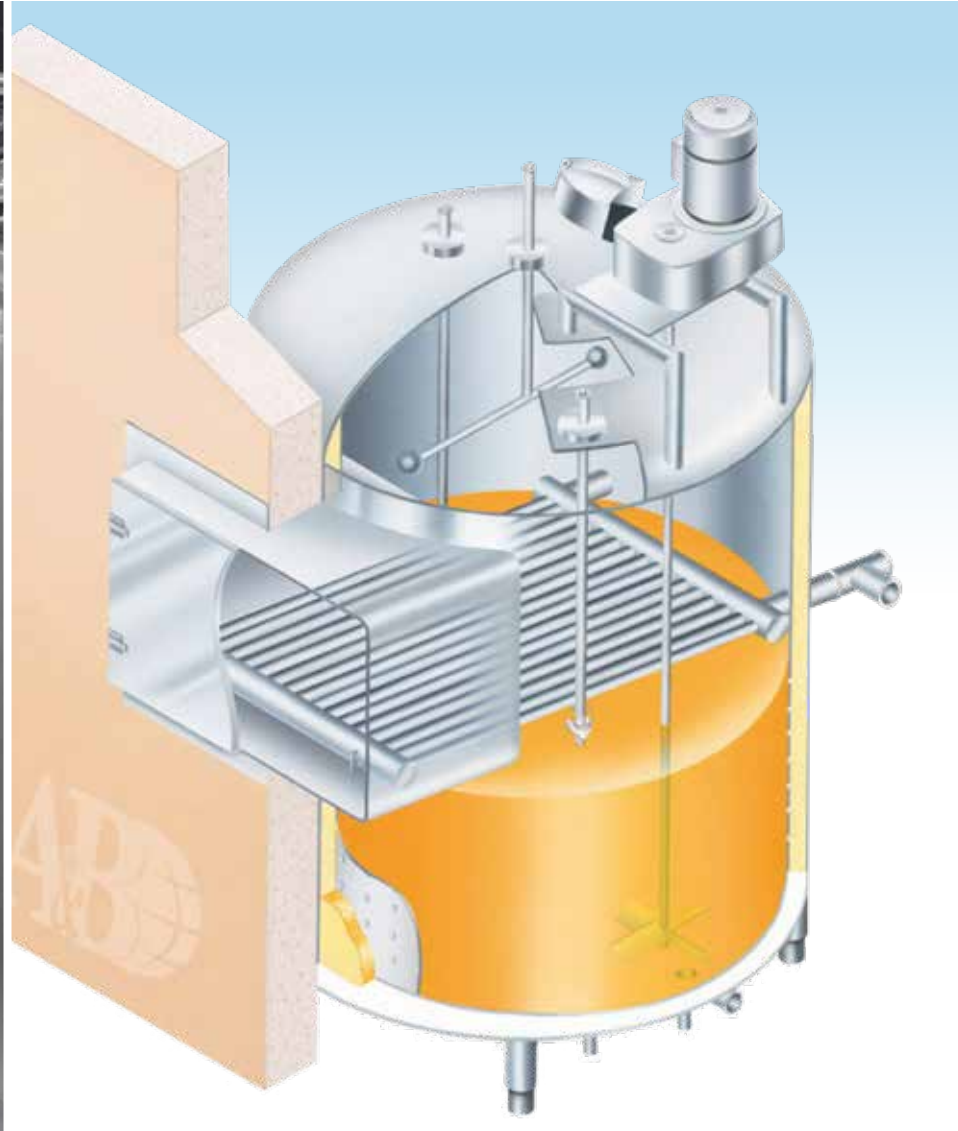


A&B PROCESS SYSTEMS

Melt Systems



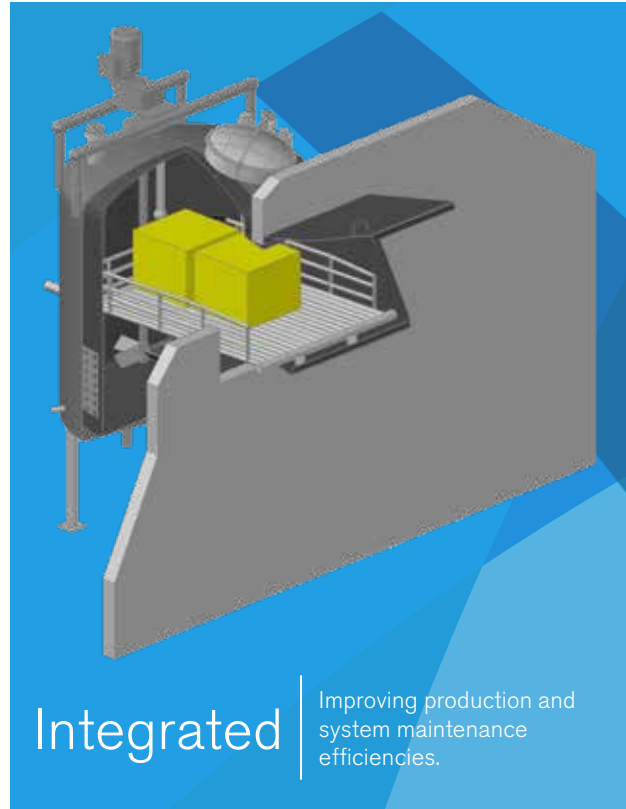
Ideal for applications melting butter, lard, chocolate gums and other solid products



JBT A&B Melt Systems are ideal for applications melting butter, lard, chocolate gums and other solid products and are designed with unique features for easy maintenance, reduced labor and improved safety. The ergonomic design of JBT A&B's self-contained melt system integrates melt and use stations and reduces manual lifting and dumping for improved safety. All melt systems are factory tested prior to shipment and work as well integrated into existing process facilities as they do in the new process applications.

We offer:

- Ergonomic design of integrated melt grid and use tank to eliminate manual lifting and dumping
- Two-stage melt systems available for applications where a fully melted product reservoir is desired. No need for agitation with this alternative approach
- Great for product reclaim/rework applications
- Modular and Clean-In-Place designs
- Custom scrape surface agitators available
- Meets all 3-A, USDA, cGMP, ASME (U&R), and FDA standards
- Factory Acceptance Testing (FAT) completed at JBT A&B prior to installation.



Integrated

Improving production and system maintenance efficiencies.

"All melt systems are not created equal."

COUNT ON JBT TO HELP PROTECT YOUR INVESTMENT

JBT's greatest value in PRoCARE® services comes from preventing unexpected costs through smart, purposeful, and timely maintenance based on unmatched knowledge and expertise. PRoCARE service packages are offered as a maintenance agreement in various service levels, depending on your production and cost management requirements.



JBT DIVERSIFIED FOOD & HEALTH

FRESH PRODUCE TECHNOLOGIES | FRESH-CUT, ROBOTICS, STEAMING | FRUIT AND VEGETABLE PROCESSING | SECONDARY PROCESSING | ASEPTIC SYSTEMS | FILLING AND CLOSING | IN-CONTAINER STERILIZING | TRAY SEALING | SECONDARY PACKAGING | HIGH-PRESSURE PROCESSING | POWDER PROCESSING | TUNA PROCESSING

OUR BRANDS



North America

John Bean Technologies Corporation
400 Fairway Avenue
Lakeland, FL 33801
USA
Phone: +1 863 683 5411
Fax: +1 863 680 3672

A&B Process Systems Corporation
212700 Stainless Ave.
Stratford, WI 54484
USA
Phone: +1 715 687 4332
Fax: +1 715 687 3225
abprocess@jbt.com

Europe

John Bean Technologies NV
Breedstraat 3
9100 Sint-Niklaas
Belgium
Phone: +32 3 780 1211
Fax: +32 3 777 7955

John Bean Technologies SpA
Via Mantova 63/A
43122 Parma
Italy
Phone: +39 0521 908 411
Fax: +39 0521 460 897

South America

John Bean Technologies
Máq. e Equip. Ind. Ltda.
Av. Eng Camilo Dinucci 4605
14808-900 Araraquara, São Paulo
Brazil
Phone: +55 16 3301 2000
Fax: +55 16 3301 2144

Latin America

JBT de México S de RL de CV
Camino Real a San Andrés Cholula No. 2612
Col. San Bernardino Tlaxcalancingo
72820 San Andrés Cholula, Puebla
México
Phone: +52 222 329 4902
Fax: +52 222 329 4903

Asia Pacific

John Bean Technologies (Thailand) Ltd.
No. 2525 FYI Center Building 2, 9th Floor
Unit No. 2/901-2/903, Rama IV Road
Klongtoei, Bangkok 10110
Thailand
Phone: +66 (0) 2257 4000
infoasia-jbtfoodtech@jbt.com

South Africa

John Bean Technologies (Pty) Ltd.
Koper Street
Brackenfell
Cape Town, South Africa 7560
Phone: +27 21 982 1130
Fax: +27 21 982 1136



We're with you, right down the line.™

abprocess@jbt.com | jbt.com

