

Upgrade Kit | Chopper Blender

JBT Chopper/Blender Retrofits

Boost Productivity and Minimize Downtime

Revolutionize your processing capabilities with JBT's innovative retrofits designed for the Chopper/Blender. Our engineering experts have crafted these upgrades to enhance the performance and longevity of your equipment. Discover the benefits of our Upgraded Carriage Design and Upgraded Tensioner Design and elevate your operation to new heights.

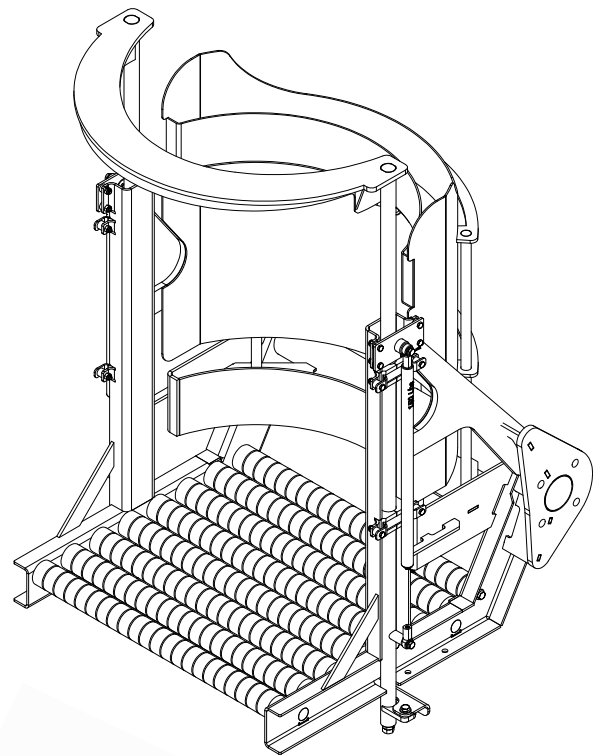
Upgraded Carriage Design: Unmatched Strength and Stability

Experience the power of our enhanced carriage system, designed for ultimate strength and rigidity. Our upgrades include:

Improved Mounting Plate Rigidity: Say goodbye to bending during high loading scenarios. Our upgraded mounting plate provides exceptional stability to ensure consistent performance.

1. Stronger Gas Springs: The upgraded gas springs on the drum clamping mechanism deliver increased drum clamping force for unmatched reliability during operation.

2. Improved Carriage Landing System: The innovative design eliminates the need for pillow-block bearings, ensuring seamless integration with your existing equipment. Our upgraded carriage design is also compatible with previous drum dumper iterations, making it the only upgrade you'll need.



Upgraded Tensioner Design: Precision and Control at Your Fingertips

JBT's Upgraded Tensioner Design offers unparalleled control and smooth operation for even the most challenging processing conditions. Discover the advantages of our cutting-edge tensioner system:

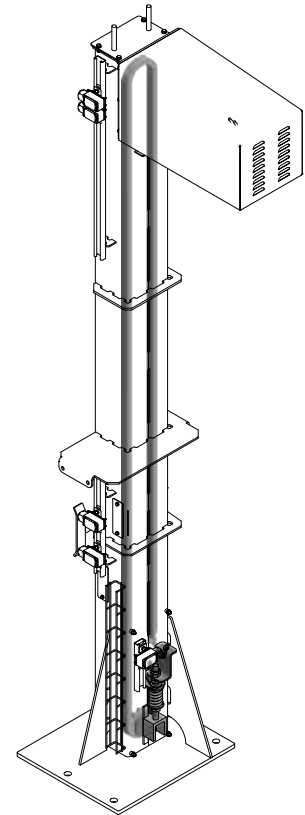
- 1. Stronger Tensioner Spring:** Our robust spring ensures improved tension control over a larger range of loading conditions. Say goodbye to complications with taller drums or stubborn drum contents.
- 2. Improved Tensioner Guide Block Design:** Experience smoother tensioner operation with our upgraded guide block, which glides effortlessly along its tracks for easy installation.
- 3. Redesigned Sensor Flag:** Our new sensor flag design delivers precise sensor engagement, safeguarding your equipment from over-tensioning and related failures.

Maximize Efficiency and Minimize Downtime with JBT's Chopper/Blender Upgrades

Invest in JBT Corporation's Chopper/Blender Retrofits today and experience the difference that our engineering expertise can bring to your processing operations. By upgrading your equipment with our state-of-the-art retrofits, you can enjoy the following benefits:

- **Enhanced Productivity:** Our advanced carriage and tensioner designs provide optimal performance and adaptability under a wide range of processing conditions. This means you can process more materials with greater efficiency, ultimately boosting your overall productivity.
- **Reduced Downtime:** With improved durability and reliability, our retrofits minimize the potential for equipment failures and related downtime. This allows you to maintain a seamless operation and focus on what matters most: your business.

Unlock the full potential of your Chopper/Blender by upgrading to JBT Corporation's innovative retrofits. Don't miss this opportunity to experience increased productivity and reduced downtime, taking your processing capabilities to new heights.



OUR BRANDS



Contact us

John Bean Technologies Corporation
400 Fairway Avenue
Lakeland, FL 33801
USA
Phone: +1 863 683 5411
Fax: +1 863 680 3672
Spare parts sales
and service in NA: +1 863 499 1842

JBT de México S de RL de CV
Camino Real a San Andrés Cholula No. 2612
Col. San Bernardino Tlaxcalancingo
72820 San Andrés Cholula, Puebla
México
Phone: +52 222 329 4902
Fax: +52 222 329 4903

John Bean Technologies
Máq. e Equip. Ind. Ltda.
Av. Eng Camilo Dinucci 4605
14808-900 Araraquara, São Paulo
Brazil
Phone: +55 16 3301 2000
Fax: +55 16 3301 2144



John Bean Technologies SpA
Via Mantova 63/A
43122 Parma
Italy
Phone: +39 0521 908 411
Fax: +39 0521 460 897

We're with you, right down the line.™

Subject to change without notice. 05•23 Kit_A11001-EN

