

## Upgrade for weight fillers



Belt tension safety switch



**PRoCARE**®

The smart way to produce  
more tonnage per day

[jbt.com](http://jbt.com)

---

JBT builds weight fillers for the Dairy industry. To keep the machines up to date we introduced a continuous improvement plan. This plan results in maintenance and accuracy improvement on the machine.

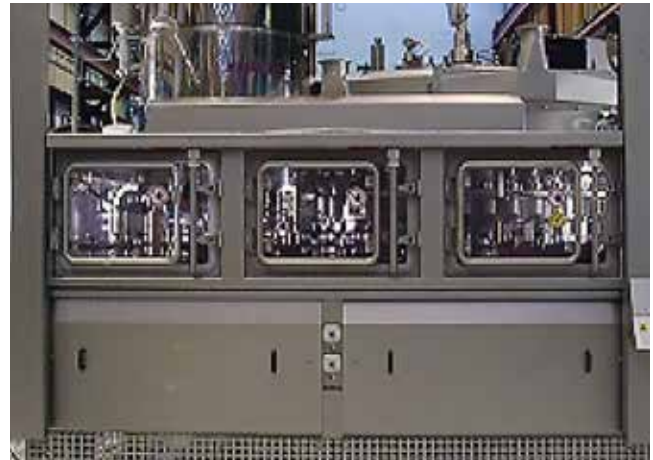
This leaflet describes the door belt detection on the Ultra Clean machines.

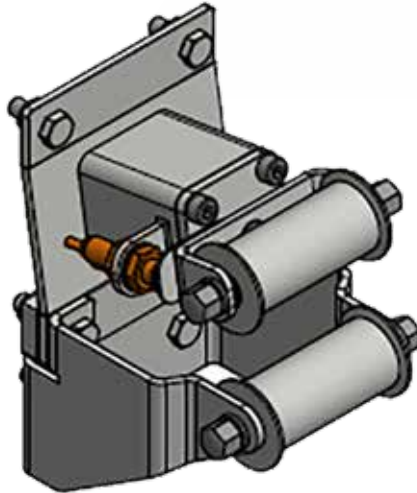
---

### Where is the opportunity?

In the Dairy industry the Ultra Clean filler is a well known concept. The Ultra Clean execution of the Precifill has a protected filling environment with airflow through the HEPA filters into the filling area preventing any ingress of ambient air, even when processing large containers at high speed. This is particularly important for sensitive products, such as pasteurized juice, milk or dairy drinks.

The front of the machine contains 3 small doors for intervention during production. These three doors are situated in one big sliding door. The sliding door can be lifted to have easy access during change overs for example. The door is lifted with the help of a motor and a belt. In some cases, there were issues when lowering the door; if one side of the door gets jammed the sliding door is in an intermediate position possibly causing a dangerous situation.





### What will be modified?

The upgraded version contains additional sensor on both sides of the door. The sensors detect whether the drive belt is still under tension. In case there is an obstruction while lowering the door, the belt will not be tensioned anymore. This is detected by the sensor and consequently the motor is stopped.

### What's the impact?

As it takes about 16 hrs to implement this new feature it is recommended to have this done while the machine is down for planned maintenance.

### What are the benefits?

By modifying the system, the safety level of the machine is increased

*Please contact your JBT customer care manager for more information or a quote.*

# Contact for the Weight Control upgrade

John Bean Technologies NV - Breedstraat 3 - 9100 Sint-Niklaas | Belgium

**24/7 Help Desk:** +32 3 780 1444

**Service Assistance:** service.sn@jbtc.com

**Parts Assistance:** parts.sn@jbtc.com

**Sales:** sales.sn@jbtc.com

## COUNT ON JBT TO HELP PROTECT YOUR INVESTMENT

JBT's greatest value in PRoCARE® services comes from preventing unexpected costs through smart, purposeful, and timely maintenance based on unmatched knowledge and expertise. PRoCARE service packages are offered as a maintenance agreement in various service levels, depending on your production and cost management requirements.



## JBT LIQUID FOODS

FRESH PRODUCE TECHNOLOGIES | FRESH-CUT, ROBOTICS, STEAMING | FRUIT AND VEGETABLE PROCESSING | SECONDARY PROCESSING | ASEPTIC SYSTEMS | FILLING AND CLOSING | IN-CONTAINER STERILIZING | TRAY SEALING | HIGH-PRESSURE PROCESSING | POWDER PROCESSING | TUNA PROCESSING

## OUR BRANDS



### Europe

JBT Food & Dairy Systems  
Deccaweg 32  
1042 AD Amsterdam - The Netherlands  
Phone: +31 20 634 8911  
Fax: +31 20 636 9754  
info.ams@jbtc.com

JBT Food & Dairy Systems SARL  
La Frégate - Bâtiment B  
1901 Avenue Jacques Cartier  
44800 Saint Herblain  
France  
Phone: +33 02 3762 5700

John Bean Technologies NV  
Breedstraat 3  
9100 Sint-Niklaas  
Belgium  
**24/7 Help Desk: +32 3 780 1444**  
Service Assistance: service.sn@jbtc.com  
Parts Assistance: parts.sn@jbtc.com

John Bean Technologies SpA  
Via Mantova 63/A  
43122 Parma  
Italy  
Phone: +39 0521 908 411  
service.parma@jbtc.com

John Bean Technologies Foodtech Spain S.L.  
Autovía A-2, Km 34,400 - Edificio 1 y 3  
28805 Alcala de Henares  
Madrid, Spain  
Phone: +34 91 304 0045  
Fax: +34 91 327 5003

John Bean Technologies Sp. z o.o.  
ul. Przy Bazantarni 11  
02-793 Warszawa, Poland  
Phone: +48 22 894 9025  
Fax: +48 22 894 9041

JBT Corporation  
Petrovka str. 27  
Moscow, Russia 107031  
Phone: +7 495 221 87 13  
Phone: +7 495 221 87 14 (2 lines)

### North America

John Bean Technologies Corporation  
400 Fairway Avenue  
Lakeland, FL 33801  
USA  
Phone: +1 863 683 5411  
Fax: +1 863 680 3672

### South America

John Bean Technologies Máq.  
e Equip. Ind. Ltda.  
Av. Eng Camilo Dinucci 4605  
14808-900 Araraquara, São Paulo  
Brazil  
Phone: +55 16 3301 2000  
Fax: +55 16 3301 2144

### Latin America

JBT de México S de RL de CV  
Camino Real a San Andrés Cholula No. 2612  
Col. San Bernardino Tlaxcalancingo  
72820 San Andrés Cholula, Puebla  
México  
Phone: +52 222 329 4902  
Fax: +52 222 329 4903

### Asia Pacific

John Bean Technologies (Thailand) Ltd.  
No. 159/26 Serm-Mit Tower 16th Floor  
Room no. 1602-3 Sukhumvit 21 Road  
Klongtoey Nua Sub-district, Wattana District  
Bangkok 10110 Thailand  
Phone: +66 2 257 4000  
Fax: +66 2 261 4099

John Bean Technologies (Shanghai) Co., Ltd.  
Room 1908, Hongwell International Plaza,  
1600 West Zhongshan Road,  
Xuhui District, Shanghai 200235,  
PRC  
Phone: +86 21 3339 1588  
Fax: +86 21 3339 1599

### South Africa

John Bean Technologies (Pty) Ltd.  
Koper Street  
Brackenfell  
Cape Town, South Africa 7560  
Phone: +27 21 982 1130  
Fax: +27 21 982 1136

We're with you, right down the line.™

hello@jbtc.com | [jbtc.com](http://jbtc.com)

