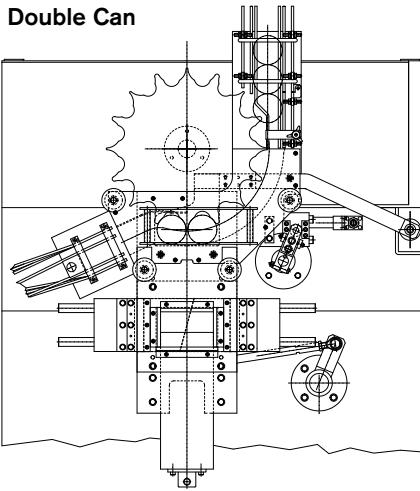


## Tuna Filler Model 3466

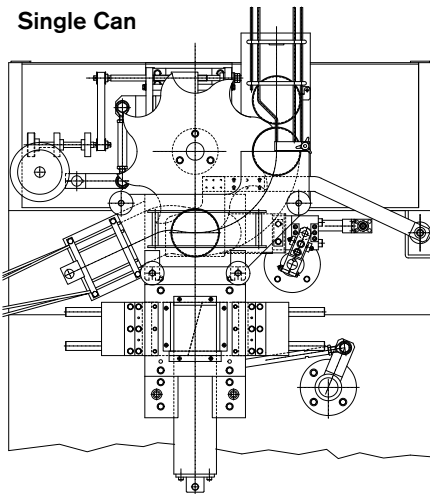


Designed to fill can size ranging from 0,5 to 2 Kg

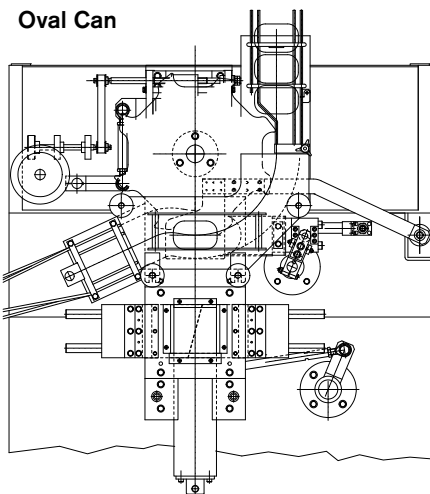
Double Can



Single Can



Oval Can



## Products/Uses Application

Would you like your ideal tuna filler to fill big cans like institutional and family size pack? Would you also like it to provide high production speed, fill weight accuracy, reduced labor costs? JBT's has recently developed the Model 3466 Tuna Filler to satisfy your needs. Our 3466 is designed to fill can size ranging from 0.5 to 2 Kg with different height and diameter according to the size of the can.

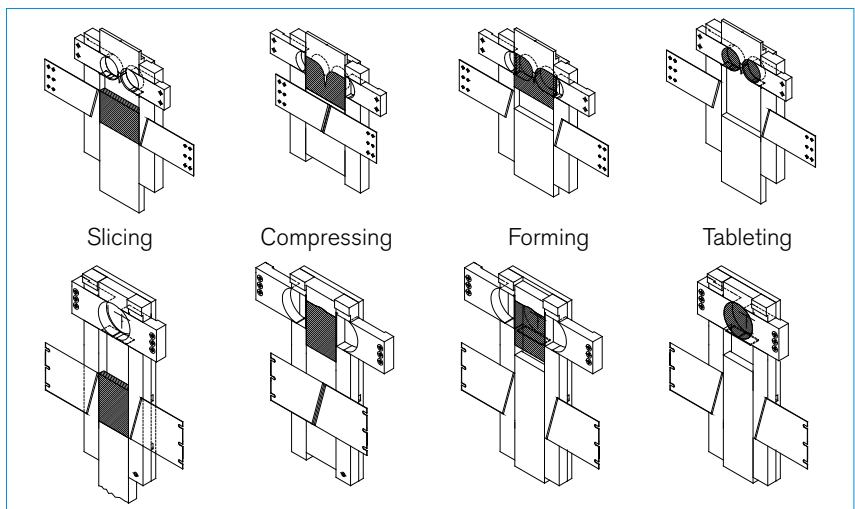
## Features

- Pre-cooked and cleaned tuna is gently placed and transferred to slicing knives to obtain good "in can" appearance
- Pre-cut tuna is then brought to a uniform density for accurate weight control
- High speed forming parts shape tuna tablets and gently transfer them to the container

## Benefits

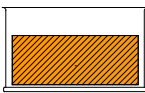
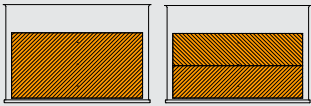

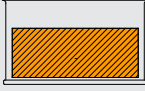
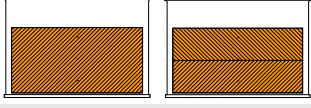

- Able to fill all tuna species
- Can handle all types of tuna - loins, chunks and flakes
- Reduced investment costs for different equipment
- High filling accuracy resulting in major cost saving of pre-cooked tuna when compared to other concepts
- Flexible density control to maximize liquid absorption for both oil and water pack
- Low filling cost per can
- Less equipment required due to high operating speed and container flexibility
- Less labor cost - only one operator needed
- Floor space savings

## Forming chambers

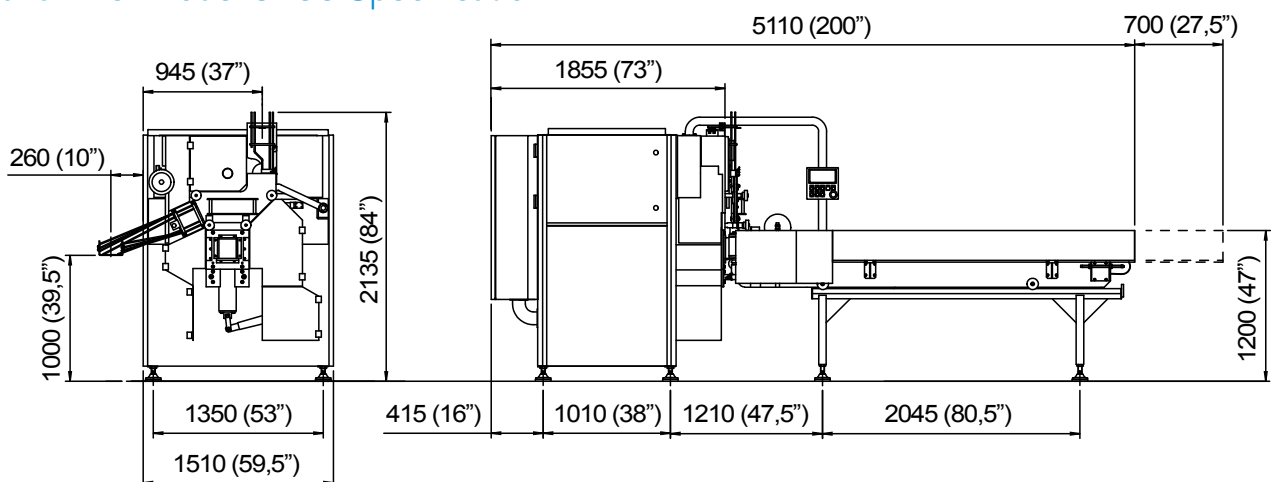


## Machine configuration

- The Model 3466 is designed to allow various cans sizes and shapes, both with single and double tablet according to customer specifications
- Easy change-over on the same diameter of cans and different height of can and tablet
- Selection of the preset recipe from the operator control panel according to the shape, to ensure proper parameter settings

CAN SIZE	FILL WEIGHT (g)	SINGLE CANS INFEEED		DOUBLE CANS INFEEED		CANS FILLING OPTIONS
		SINGLE SHOT	DOUBLE SHOT	SINGLE SHOT	DOUBLE SHOT	
401x114 99x46	300	/	/	100	/	
401x114 99x46	620	/	/	100	50	
603x108 150x38	500	50	/	/	/	
603x210 150x67	1000	50	/	/	/	
603x402 150x107	1730/2000	50	25	/	/	
Oval/Square	300/350	50	/	/	/	

## Tuna Filler Model 3466 Specification



## WE ARE YOUR SINGLE SOURCE FOR PROFITABLE PROCESSING SOLUTIONS

JBT is a leading provider of integrated food processing solutions. From single machines to complete processing lines, we enhance value and capture quality, nutrition and taste in food products. With a local presence on six continents, JBT can quickly provide our customers and partners in the food processing industry with the know-how, service, and support needed to succeed in today's competitive marketplace.

### JBT LIQUID FOODS

FRESH PRODUCE TECHNOLOGIES | FRESH-CUT, ROBOTICS, STEAMING | FRUIT AND VEGETABLE PROCESSING | SECONDARY PROCESSING | ASEPTIC SYSTEMS | FILLING AND CLOSING | IN-CONTAINER STERILIZING | TRAY SEALING | HIGH-PRESSURE PROCESSING | POWDER PROCESSING | TUNA PROCESSING

### OUR BRANDS



#### Europe

John Bean Technologies SpA  
Via Mantova 63/A  
43122 Parma  
Italy  
Phone: +39 0521 908 411  
Fax: +39 0521 460 897

John Bean Technologies NV  
Breedstraat 3  
9100 Sint-Niklaas  
Belgium  
Phone: +32 3 780 1211  
Fax: +32 3 777 7955

John Bean Technologies Foodtech Spain S.L.  
Autovía A-2, Km 34,400 - Edificio 1 y 3  
28805 Alcala de Henares  
Madrid, Spain  
Phone: +34 91 304 0045  
Fax: +34 91 327 5003

#### Latin America

JBT de México S de RL de CV  
Camino Real a San Andrés Cholula No. 2612  
Col. San Bernardino Tlaxcalancingo  
72820 San Andrés Cholula, Puebla  
México  
Phone: +52 222 329 4902  
Fax: +52 222 329 4903

#### North America

John Bean Technologies Corporation  
400 Fairway Avenue  
Lakeland, FL 33801  
USA  
Phone: +1 863 683 5411  
Fax: +1 863 680 3672

John Bean Technologies Corporation  
2300 Industrial Avenue  
Madera CA 93639  
USA  
Phone: +1 559 661 3200  
Fax: +1 559 661 3156

#### South America

John Bean Technologies Máq.  
e Equip. Ind. Ltda.  
Av. Eng Camilo Dinucci 4605  
14808-900 Araraquara, São Paulo  
Brazil  
Phone: +55 16 3301 2000  
Fax: +55 16 3301 2144

#### Asia Pacific

John Bean Technologies (Shanghai) Co., Ltd.  
Room 1908, Hongwell International Plaza,  
1600 West Zhongshan Road,  
Xuhui District, Shanghai 200235,  
PRC  
Phone: +86 21 3339 1588  
Fax: +86 21 3339 1599

John Bean Technologies (Thailand) Ltd.  
No. 159/26 Serm-Mit Tower  
Room no. 1602-3 Sukhumvit 21 Road  
Klongtoey Nua Sub-district, Wattana District  
Bangkok 10110 Thailand  
Phone: +66 2 257 4000  
Fax: +66 2 261 4099

#### South Africa

John Bean Technologies (Pty) Ltd.  
Koper Street  
Brackenfell  
Cape Town, South Africa 7560  
Phone: +27 21 982 1130  
Fax: +27 21 982 1136



We're with you, right down the line.™

hello@jbt.com | [jbt.com](http://jbt.com)

