

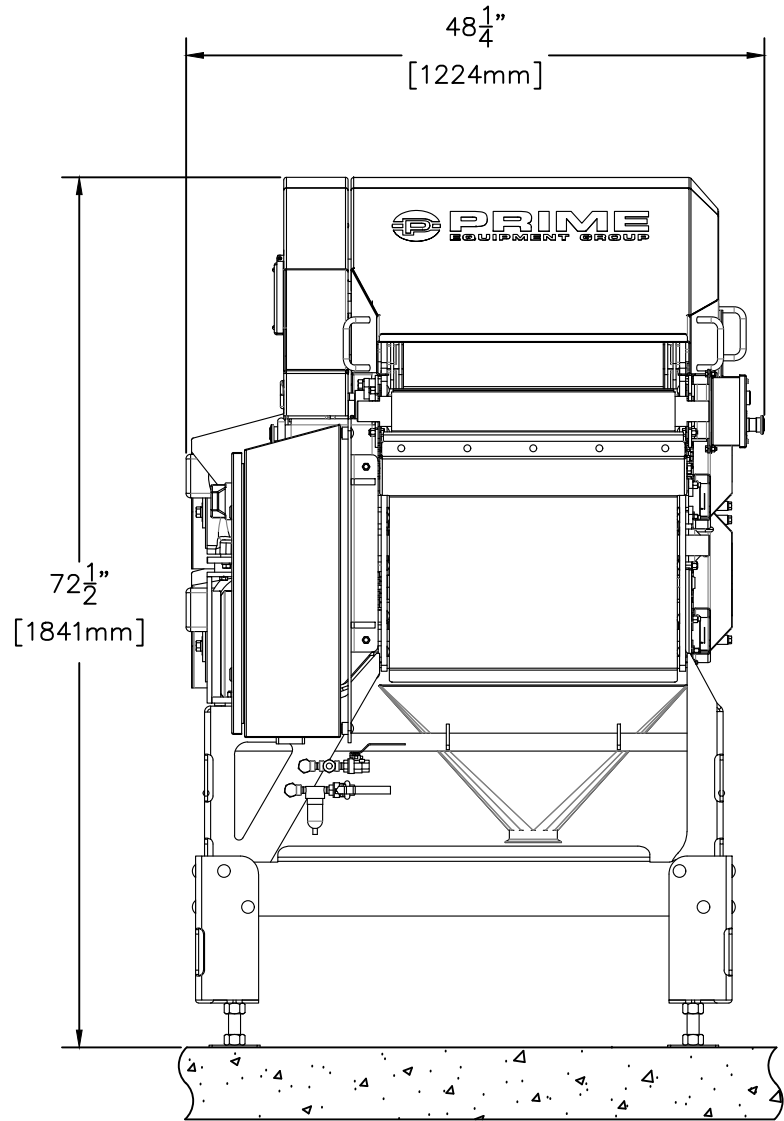
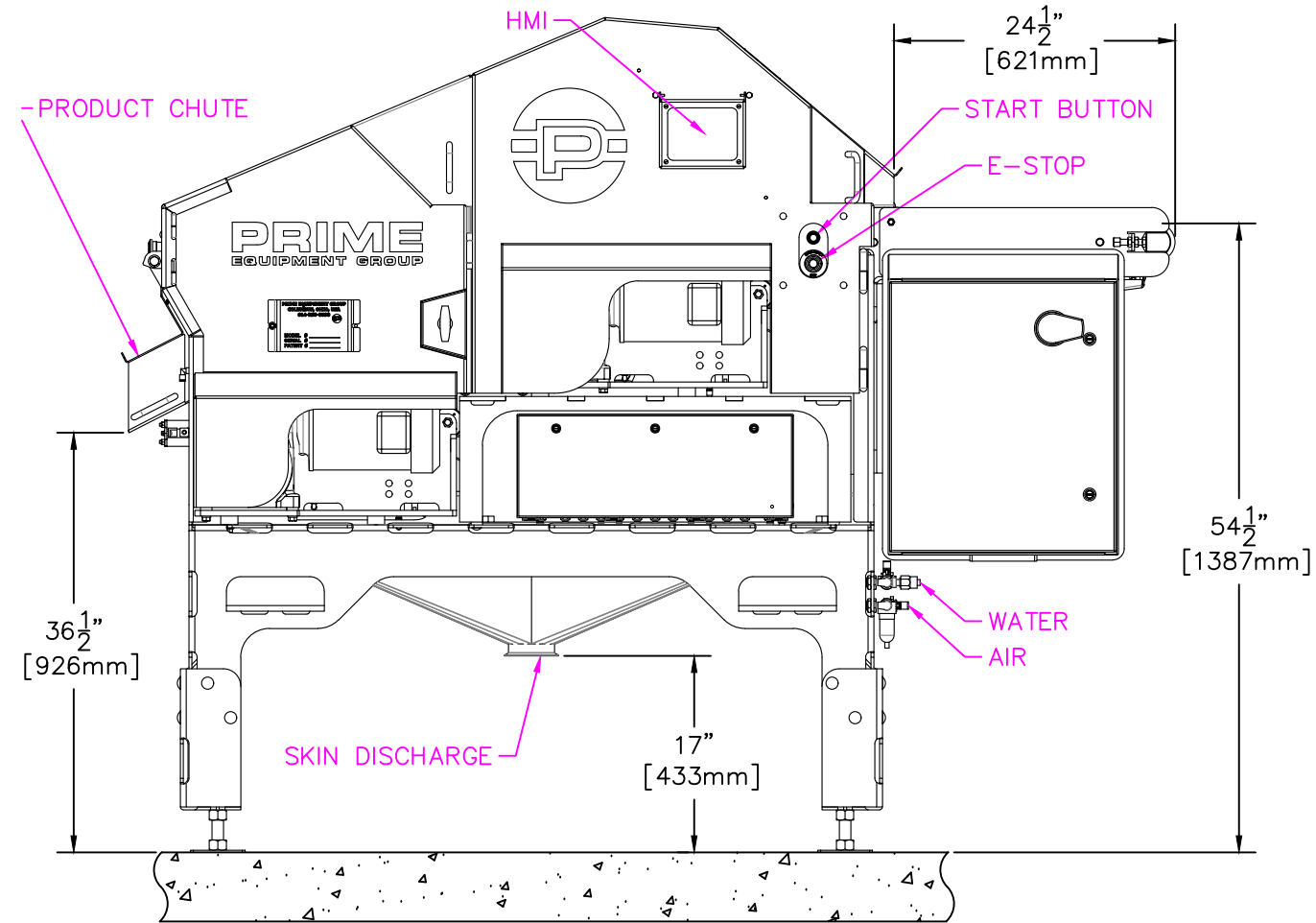
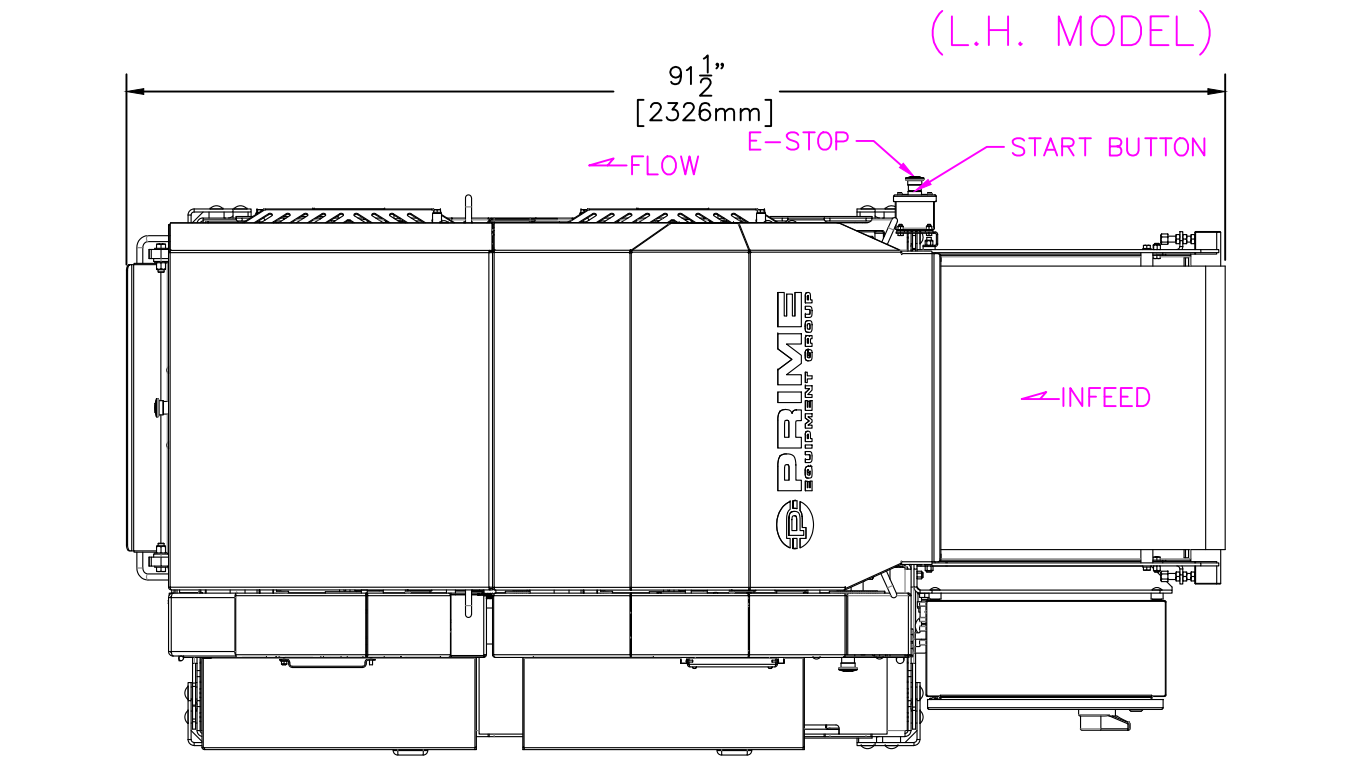
EQUIPMENT LEGEND		
ITEM	QTY	DESCRIPTION
1	1	PRIME CSK2-AUTO, AUTO LOADING CHICKEN SKINNER 24" WIDE W/ 2' LG. INFEE CONVEYOR AND STAND EXIT CHUTE

WATER REQUIRMENTS			
TEMP	PSI	RATE (GPM)	INLET SIZE
60-70°	40-60	2	1/4" NPT

ELECTRICAL REQUIRMENTS			
VOLTS	HERTZ	PHASE	AMPS
480	60	3	15

AIR REQUIRMENTS		
PSI	INLET SIZE	CFM
80	1/4" NPT	10 MIN.

DRAWING APPROVED FOR CONSTRUCTION
SIGNATURE: _____
BY: _____
DATE: _____



PRELIMINARY DRAWING
EQUIPMENT REPRESENTED IN THIS DRAWING MAY NOT INDICATE FINAL CONSTRUCTION.

DIMENSION NOTICE
DIMENSIONS IN THIS DRAWING ARE TO BE ASSUMED AS APPROXIMATE UNTIL CONFIRMED BY CUSTOMER.

* FEED HEIGHT VARIES UPON CUSTOMER REQUIREMENTS, 50" IS MINIMUM.

NO	DATE	BY	DESCRIPTION
REVISIONS			
PRIME EQUIPMENT GROUP COLUMBUS, OHIO			
24" WIDE AUTO LOADING CHICKEN SKINNER MACHINE GENERAL ARRANGEMENT, LEFT HAND			
DATE CREATED: 8/30/2016	DRAWN BY: BENJAMIN DIAB	FILE NAME: CSK2-AUTO-24-H2L-2FT-HMI.DWG	SHEET #
DATE LAST SAVED: 8/30/2016	BY: BDIAB	REVISION:	QUOTE NO:
SCALE:	CREATED FROM:	SALES ORDER NO:	

This document may contain trade secrets and confidential information that is the sole property of Prime Equipment Group, Inc. (Prime). Prime reserves all patent, copyright, trademark and other intellectual property rights in information contained in this document. Recipients of this document are NOT authorized to use, reproduce, copy, disclose or transmit, in whole or in part, the information contained herein without the prior written consent of Prime. All rights reserved. Copyright Prime Equipment Group, Inc.