



**STRONGER
TOGETHER**

**PRIME
EQUIPMENT GROUP**
Simple Solutions for Poultry Processing

COUNTER-ROTATING PRIMARY PICKERS

Model: SCP2-210



Hydraulically adjustable side banks simplify adjustments

The SCP2-210 COUNTER-ROTATING PRIMARY PICKER uses two 2-meter picking banks to effectively pick the fastest line speeds or stunning methods for turkeys, chickens, and ducks. The counter-rotating side banks are fully and independently adjustable in height and width to fully cover the bird's shoulder and neck before it enters the finishing picker.

ADJUSTABLE SIDE BANKS REDUCE WING BREAKAGE AND ALLOW FOR A WIDE RANGE OF BIRD SIZES

RUBBER GEARS REDUCE NOISE AND WEAR

EFFECTIVE PICKING WITH A SMALL FOOTPRINT

See Prime in action: View www.PrimeEquipmentGroup.com/videos

Viewing online?
Click here



PRIME ROI:

REDUCE SCALD TEMPERATURES AND PINNING LABOR

RUN FASTER LINE SPEEDS WITH FEWER PICKERS

REDUCES HOT WATER COSTS

A COMPLETE SOLUTION WHEN PAIRED WITH PRIME FINISHING PICKERS

2001 Courtright Road
Columbus, OH 43232 USA

Please call
+1 (614) 253-8590

Send us an email
Sales@PrimeEquipmentGroup.com

More info
PrimeEquipmentGroup.com

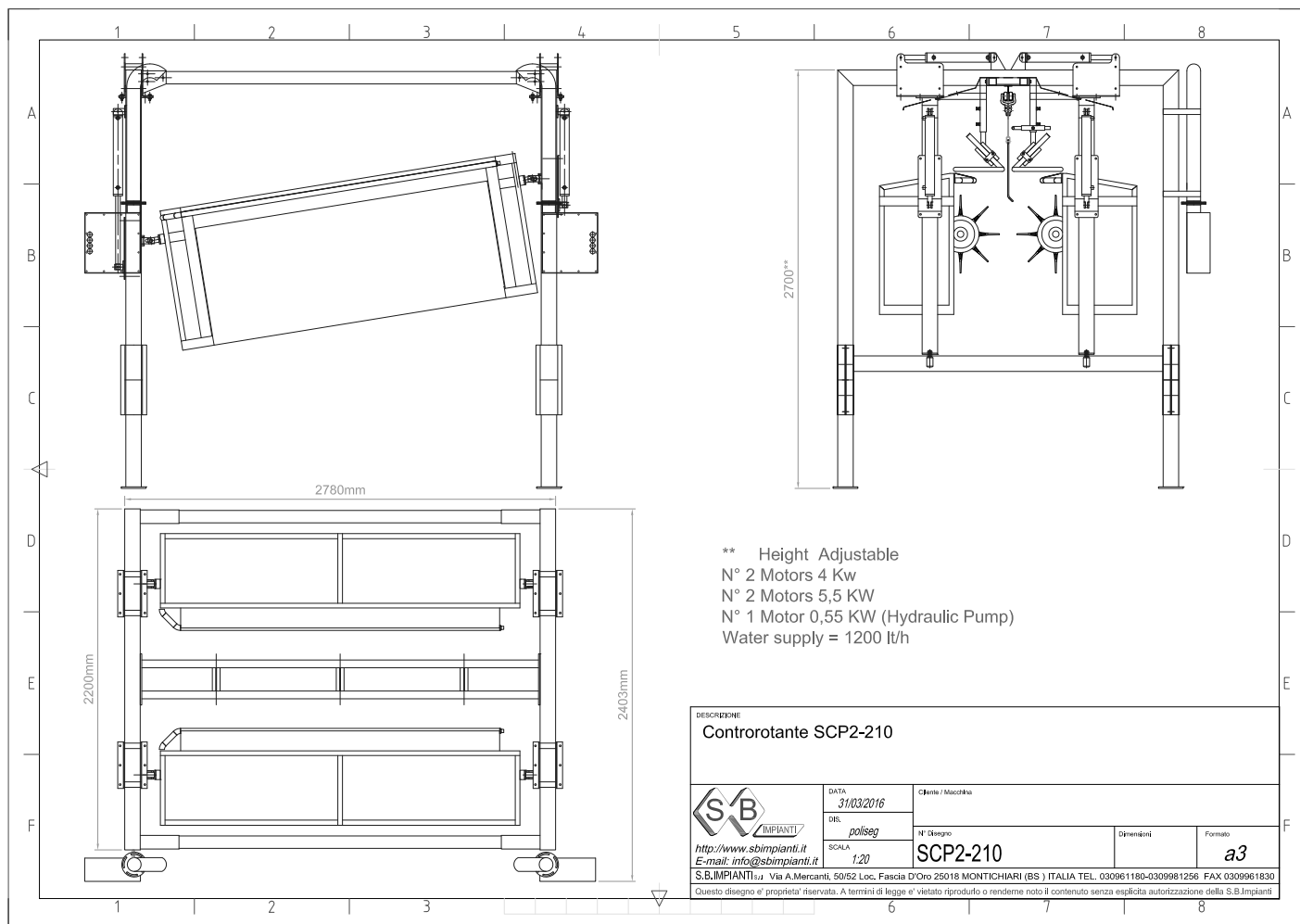


**STRONGER
TOGETHER**

**PRIME
EQUIPMENT GROUP**
Simple Solutions for Poultry Processing

COUNTER-ROTATING PRIMARY PICKERS

Model: SCP2-210



TECHNICAL SPECIFICATIONS

Electrical Requirements:	(2) 30 hp, (2) 25 hp; (3) 4 hp for central bar; (1) 1 hp for hydraulic box
Hydraulic::	Supply: 21 Gpm; Min pressure 290 psi
Weight	7,716 lbs
Production Rates:	Variable and customizable
Note: Specifications and rates are accurate at time of publication	

2001 Courtright Road
Columbus, OH 43232 USA

Please call
+1 (614) 253-8590

Send us an email
Sales@PrimeEquipmentGroup.com

More info
PrimeEquipmentGroup.com