

Rubber Cord Scrubbers

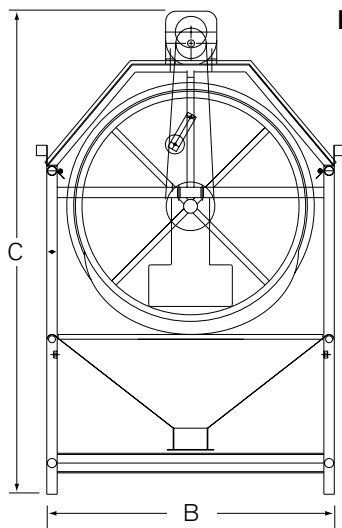


Remove peels with the highest reliability and lowest downtime available to the industry.

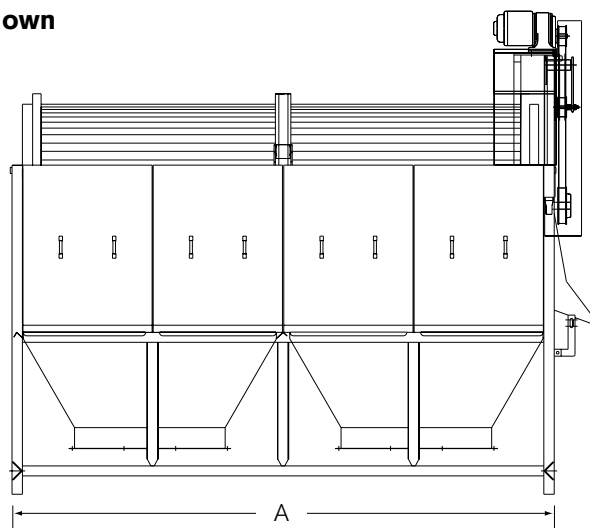
General Description

The highest peeling volumes and efficiencies are achieved with friction from rubber cords that enable JBT Rubber Cord Scrubber to remove peels with the highest reliability and lowest downtime available to the industry. An internal spiral mixes and moves tomatoes gently through the rotating drum. The specially designed and patented JBT rubber cords remove the soft, loose peels from the tomatoes. Product exits the scrubbing phase over a sliver remover and enters the Pinch Bed. The Rubber Cord Scrubber's standard rotational speed may vary depending on the type and condition of the product. This rubber cord method is so efficient that it substantially reduces the finish work required on the Pinch Bed. The system is adaptable to any of JBT's peeling systems.

Product Feature	Processor Benefit
Rotary drum with internal spiral & variable speed energy efficient motor	Smooth, flexible flow capability
Molded rubber cords on 1" centers standard, rubber cords with more aggressive features available	High speed, high efficiency, low maintenance design
Easily removable stainless steel doors with safety switches & stainless steel guards over belts & sheaves	Designed with integrated safety features
Sliver, peel removers and adaptable by-products collection	Quick changeovers and product flow adjustments
NEMA 4 control panel w/E-stop and soft-start stations	Improved operator control



RCS-HV Shown



Options

- Leg Extensions
- Side Pans (Replaces Hoppers)
- Infeed Chutes
- Panel Location
- Discharge Spray Manifold (Standard with Caustic Peelers)

DIMENSIONS	STANDARD	HIGH VOLUME
A (Length)	10 ft. 3/4 in. (3067 mm)	13 ft. 1 in. (3988 mm)
B (Width)	5 ft. 0 in. (1524 mm)	6 ft. 11 in. (2108 mm)
C (Overall Height)	9 ft. 10 in. (2997 mm)	11 ft. 7 in. (3531 mm)

SPECIFICATIONS	STANDARD	HIGH VOLUME
Capacity	35 t/h input product (31.75 MT/h)	50 - 60 t/h input product (45.4 - 54.4 MT/h)
Weight	3300 lbs (1498 kg)	4,000 lbs (1818 kg)
Water Usage (for CIP)	20 gpm (75.7 l/min)	20 gpm (75.7 l/min)
Drum Speed	18-30 rpm	18-25 rpm
Timing Belt Drive	NEMA 4 Control Box and E-Stop Station	NEMA 4 Control Box and E-Stop Station
Electricity	2hp/230/460v/60hz/3ph Inverter driven motor	5hp/230/460v/60hz/3ph Inverter driven motor
Size of Inlet	24-1/8" x 12" (613 x 305 mm) (CA-30) 18-3/8" x 12" (467 x 305 mm) (SP-30) 11" x 12" (279 x 305 mm) (C8 Pear)	24-1/8" x 12" (613 x 305 mm) CA-50

(All specifications are approximate)

COUNT ON JBT TO HELP PROTECT YOUR INVESTMENT

JBT's greatest value in PRoCARE® services comes from preventing unexpected costs through smart, purposeful, and timely maintenance based on unmatched knowledge and expertise. PRoCARE service packages are offered as a maintenance agreement in various service levels, depending on your production and cost management requirements.



JBT LIQUID FOODS

FRESH PRODUCE TECHNOLOGIES | FRESH-CUT, ROBOTICS, STEAMING | FRUIT AND VEGETABLE PROCESSING | SECONDARY PROCESSING | ASEPTIC SYSTEMS | FILLING AND CLOSING | IN-CONTAINER STERILIZING | TRAY SEALING | HIGH-PRESSURE PROCESSING | POWDER PROCESSING | TUNA PROCESSING

OUR BRANDS



North America

John Bean Technologies Corporation
2300 Industrial Avenue
Madera CA 93639
USA
Phone: +1 559 661 3200
Fax: +1 559 661 3156

Europe

John Bean Technologies SpA
Via Mantova 63/A
43122 Parma
Italy
Phone: +39 0521 908 411
Fax: +39 0521 460 897

South America

John Bean Technologies
Máq. e Equip. Ind. Ltda.
Av. Eng Camilo Dinucci 4605
14808-900 Araraquara, São Paulo
Brazil
Phone: +55 16 3301 2000
Fax: +55 16 3301 2144

Asia Pacific

John Bean Technologies (Shanghai) Co., Ltd.
Room 1908, Hongwell International Plaza,
1600 West Zhongshan Road,
Xuhui District, Shanghai 200235,
PRC
Phone: +86 21 3339 1588
Fax: +86 21 3339 1599



We're with you, right down the line.™

hello@jbt.com | jbt.com

