



**STRONGER
TOGETHER**

**PRIME
EQUIPMENT GROUP**
Simple Solutions for Poultry Processing

**ROTARY SEPARATOR SCREENS -
MEAT, FEATHER AND SECONDARY
MULTIPLE DIAMETERS (42, 48 & 60 INCHES) AND LENGTHS (8, 10 & 12 FEET)**

Models: OMS (Meat); OFS (Feather);
OSS (Secondary) OBS (Backup)



All-new design solves many issues common to standard screens

- Control panel includes VFD/soft-start and can be remote-mounted
- Shock-absorbing drum wheels require no greasing
- Pneumatic traversing spray bar assemblies for trouble-free operation
- Robust construction with no tubular sections
- Wedge-wire screens for optimum performance
- Fast drum wheel replacement without removing drum
- No requirement to remove parts for washdown
- Screen drum can be removed from frame vertically
- Stacking frame options
- Very low maintenance requirements

Prime Rotary Screen Separators are engineered to be the best-designed screens in the industry, with standard-leading ease-of-use features and high performance standards. These horizontally mounted, internally fed stainless steel wedge wire drums effectively remove excess process water from a wide variety of solid materials. Most separator applications are for feathers, offal, meat and skin, but Prime also designs systems for other food industries. Various drum diameters are available up to 60 inches (152 cm) I.D., with lengths of up to 12 feet (5.4m) effective screen.

See Prime in action: View
www.YouTube.com/user/PrimeEquip

Viewing online? Click
here



PRIME ROI:

ENGINEERED FOR LONG SERVICE LIFE AND INDUSTRY-LEADING
EASE-OF-MAINTENANCE

SOFT-START DRIVE LENGTHENS SERVICE LIFE

DUAL-MOTOR OPTION ALLOWS FOR INSTANT BACKUP

2001 Courtright Road
Columbus, OH 43232 USA

Please call
+1 (614) 253-8590

Send us an email
Sales@PrimeEquipmentGroup.com

More info
PrimeEquipmentGroup.com

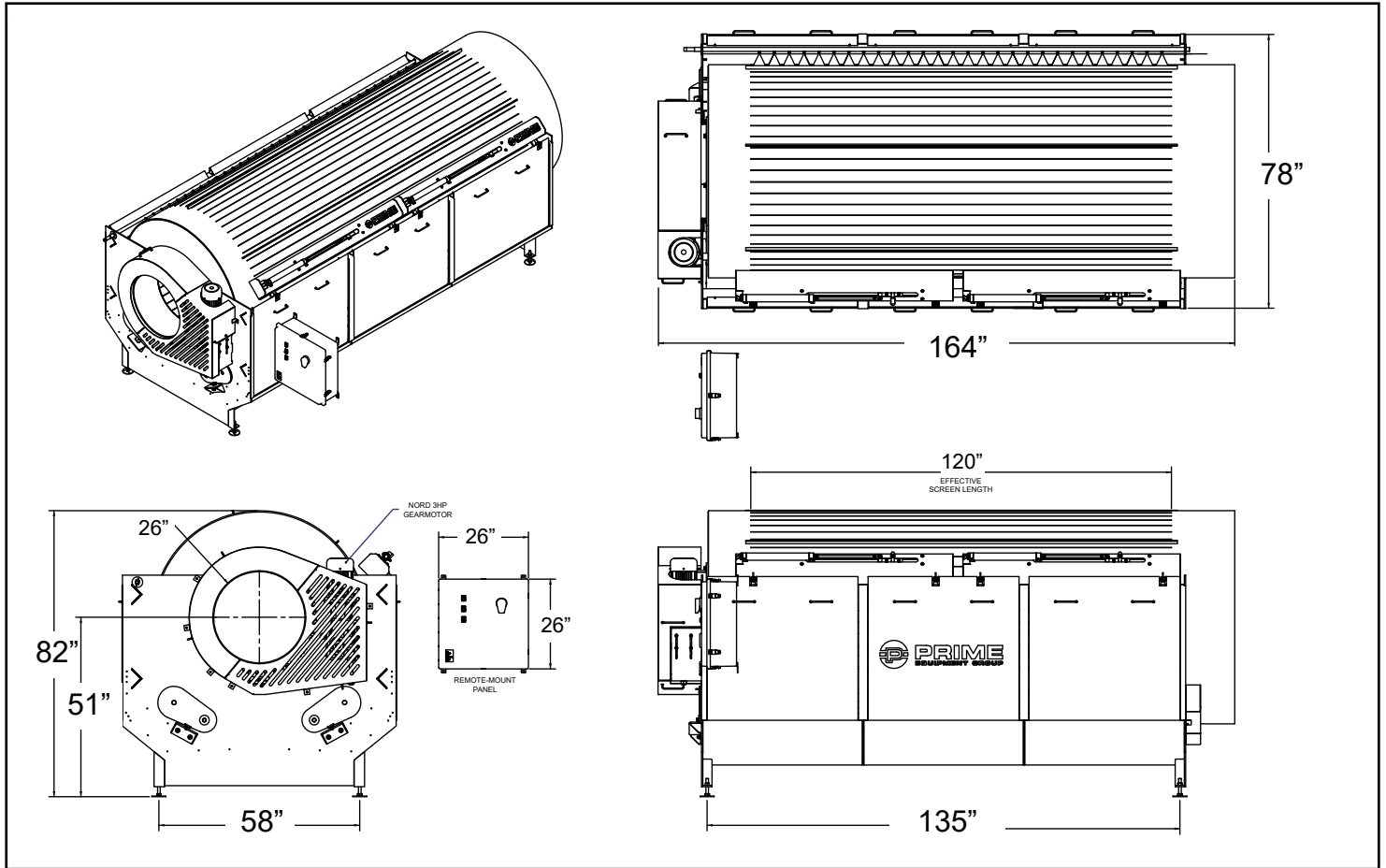


**STRONGER
TOGETHER**

**PRIME
EQUIPMENT GROUP**
Simple Solutions for Poultry Processing

**ROTARY SEPARATOR SCREENS -
MEAT, FEATHER AND SECONDARY
MULTIPLE DIAMETERS (42, 48 & 60 INCHES) AND LENGTHS (8, 10 & 12 FEET)**

Models: OMS (Meat); OFS (Feather);
OSS (Secondary) OBS (Backup)



TECHNICAL SPECIFICATIONS

Pictured machine size:	60-inch diameter/10-foot effective screen
Electrical Requirements:	(1) 3 hp motor, 230/460V, 3 ph, 60 Hz
Water Requirements:	Meat & secondary (2) 1/2" connections; 1.0 GPM each (2.0 GPM total); 30-50 PSI (1) 3/4" connections; 6 GPM; 30-50 PSI Feather Screen: Spraybar for washdown requires (1) 3/4" connection
Air Requirements:	90 PSI; 1-2 CFM
Net Weight:	Varies by size; contact your Prime rep
A wide variety of sizes available to satisfy your product and volume requirements	
NOTE: Specifications are accurate at time of publication	