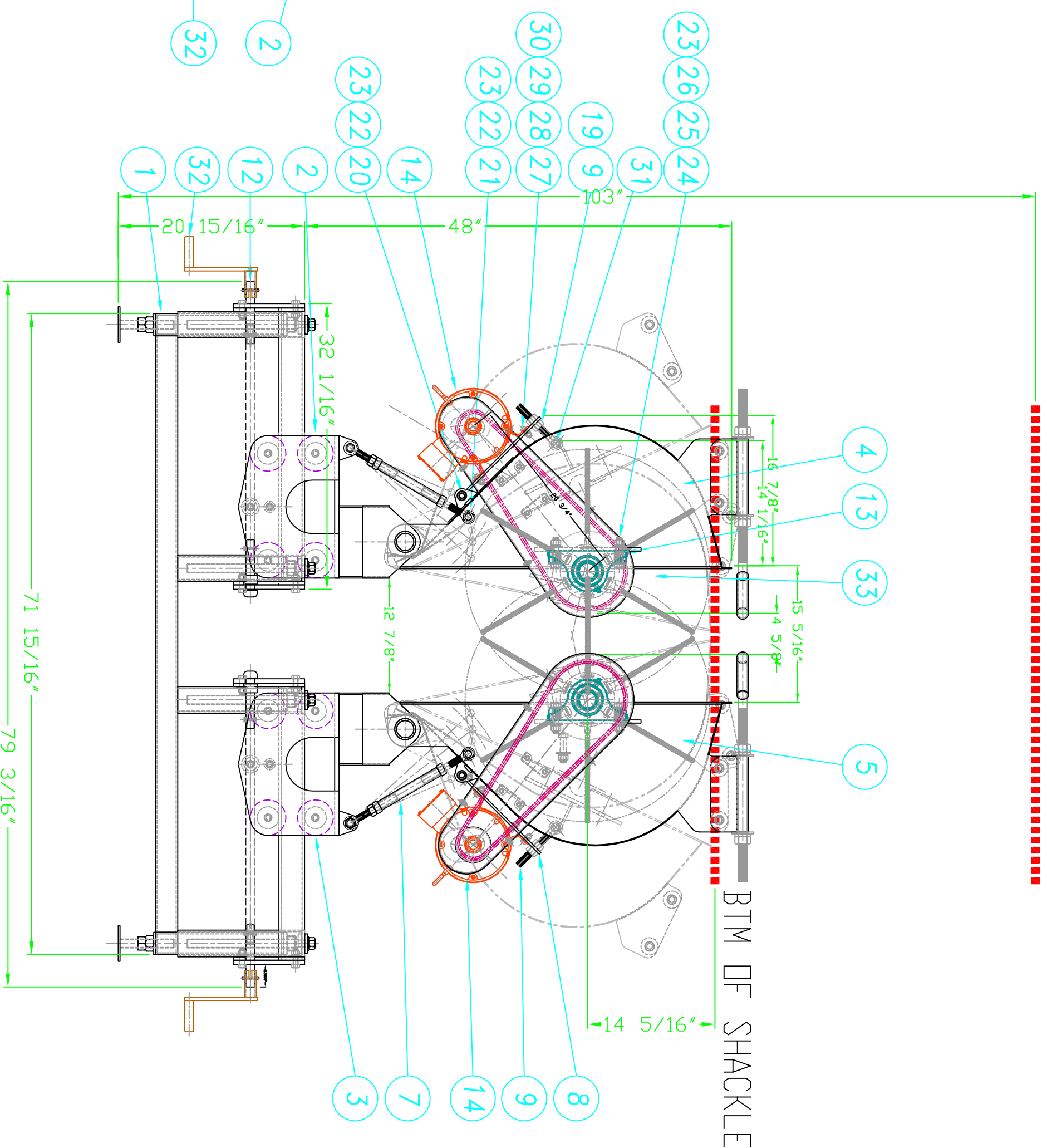
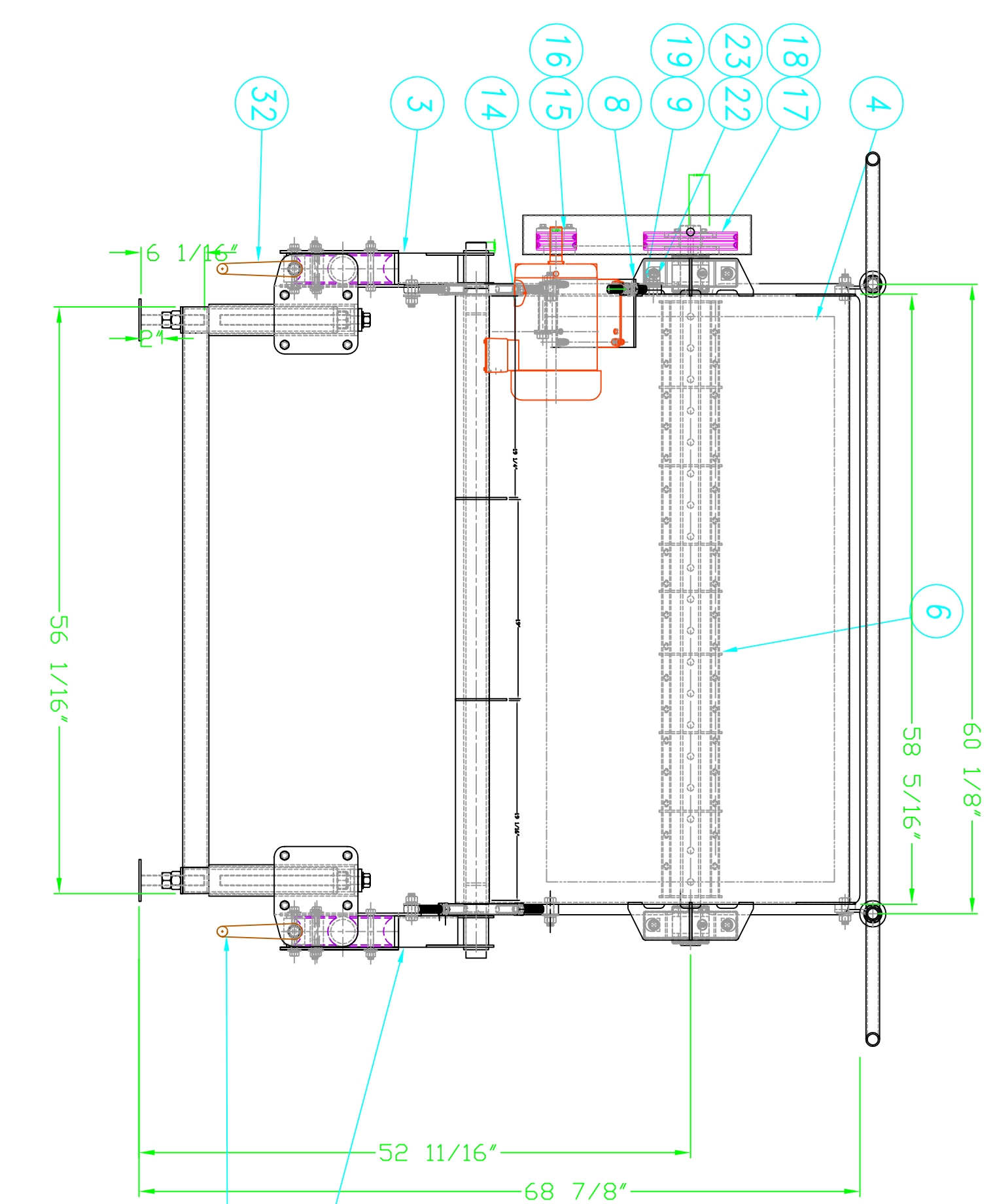
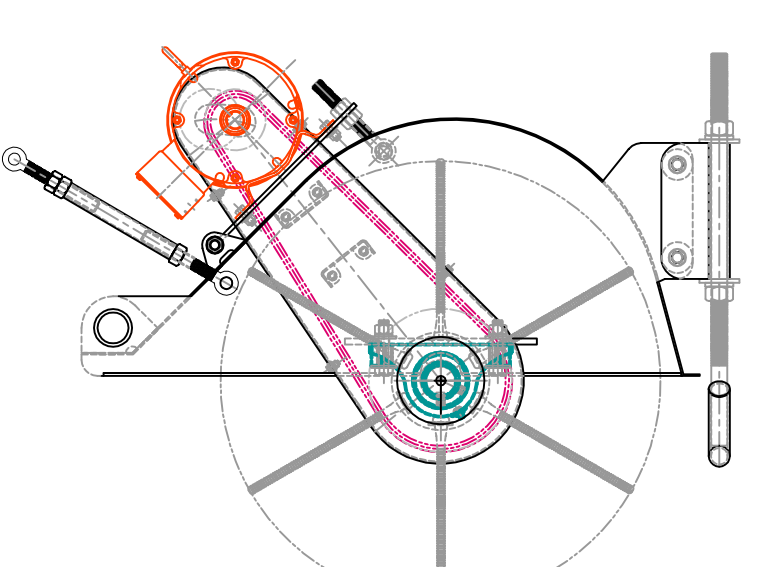


TOP OF TRACK



ITEM NO.	QTY.	PART NUMBER	DESCRIPTION
33	123	00000	M90 PICKING FINGER
32	4	73776	WIDMNT. ADJ. HANDLE, DMS. PICKER
31	4	28483	BELT, B-56
30	8	LWSS037	SLW. 3/8 SS
29	16	FWUS037	FLW. 3/8 SS
28	8	FHMS037C	NUT, FNSH, HEK, 3/8-16, SS
27	8	HGSS037C0125	SCR. CAP. HEXHD, 3/8-16X1-1/4, SS
26	8	LWSS062	SLW. 5/8 SS
25	8	FHMS062C	NUT, FNSH, HEK, 5/8-11, SS
24	8	HGSS062C0300	SCR. CAP. HEXHD, 5/8-11X3, SS
23	28	FWUS062	FLW. 5/8 SS
22	8	ESNS062C	5/8-11, SS, NTL, NSR, LKNT
21	4	HGSS062C0290	SCR. CAP. HEXHD, 5/8-11X2-1/2, SS
20	2	HGSS062C0500	SCR. CAP. HEXHD, 5/8-11X5, SS
19	4	FHMS079C	NUT, FNSH, HEK, 3/4-10, SS
18	2	27935	PULLY BUSHING, #1 15/16" BORE
17	2	27934	28 PULLEY, A-8 #28865K
16	2	27933	PULLEY BUSHING, #1 1/8" BORE
15	2	27932	28 PULLEY, A-8 #28345H
14	2	18574	MTR. WASH. DOWN, 3HP, 3PH, 230/460V, TEC, FOOT MFG.
13	4	18602	PILLOW BLK., #1 15/16" BORE, DODGE TYPE E
12	4	77203	ASSY. ADJ. SCR. DSP., PKR
11	1	77210	ASSY. LH BELT GD. DSP., PKR
10	1	77209	ASSY. RH BELT GD. DSP., PKR
9	2	27951	3/4-10NC THD SOLID SS ROD END
8	2	22700	WIDMNT. MTR. MFG. P.L.T. 72IN. CABINET, DMS. PICKER
7	4	73702	TILTING TURNBUCKLE, 72IN. CABINET, DMS. PICKER
6	2	77184	WIDMNT. 68IN. FRNG. REEL, DSP., PKR
5	1	77188	WIDMNT. RH. 58IN. CABINET, DSP., PKR
4	1	77188	WIDMNT. LH. 58IN. CABINET, DSP., PKR
3	2	73689	ASSY. BANK. RH. MFG. BRKT. MAIN FR. DMS. PICKER
2	2	77199	ASSY. LH. BANK. MFG. BRKT. MAIN FR. DMS. PICKER
1	1	77179	ASSY. SHRT. FR. DSP., PKR

Revision History: By Date Description of Change

1	Current	Revision Information
---	---------	----------------------

PRIME Equipment Group, Inc. 10000 W. 10th Street, Suite 100, Overland Park, KS 66204-4401. Tel: 913.241.1100. Fax: 913.241.1101. Email: sales@primeequipment.com

Dimensions are in inches. 1 inch = 25.4 mm. TOLERANCES: UNLESS NOTED: DIMENSIONS ARE IN INCHES: FRACTIONS: DECIMALS: ANGLES: SURFACE FINISH: F20 MIRROR FINISH. CONCENTRICITY: 0.01 IRI.

Specifications unless otherwise noted.

Scale: 1" = 1'-0"

Part Number: SNT931

Sheet: 1 of 1