

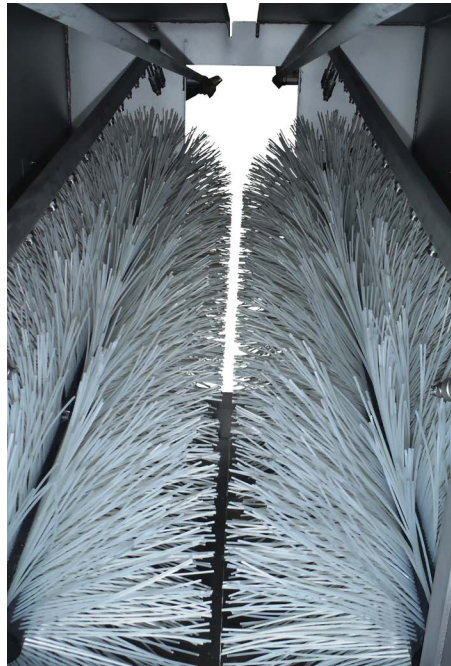


**STRONGER
TOGETHER**

**PRIME
EQUIPMENT GROUP**
Simple Solutions for Poultry Processing

POULTRY BRUSH SCRUBBERS

Evisceration (EBS-Series), Pre-Scald (PSS-Series), for Chicken & Turkey



Pre-Scald Scrubber outfitted with stiff brush bristles removes fecal material and allows for quicker entry into scalders and reduces bacteria in the scalders.



Evisceration Scrubber outfitted with medium or soft brush bristles gently rinses excess contaminants before the Inside/Outside Bird Washer (IOBW).

Prime Bird Scrubbers are inline cabinet-type machines that include two rotating antimicrobial brushes designed to "wipe" and clean chicken and turkey carcasses. Available in multiple machine lengths with varying brush aggression levels depending on the bird size and line location, the Scrubbers help to remove fecal matter and other contaminants without sacrificing quality due to scratching and tearing of other brush-type machines.

See Prime in action: View www.PrimeEquipmentGroup.com/videos

Viewing online?
Click here

REDUCE FECAL CONTAMINANTS
BEFORE BIRD WASHER OR SCALDER

REDUCE SCALDING TEMPERATURES
DOWN THE LINE

IMPROVED BRUSH QUALITY WITH
ANTIMICROBIAL ADDITIVE



PRIME ROI:

REDUCE SCALDING TEMPERATURES DOWNLINE

REDUCES PRODUCT DAMAGE VS. OTHER SCRUBBING MACHINES

VARIABLE BRUSH STIFFNESS ALLOWS WIDE USAGE IN LINE

2001 Courtright Road
Columbus, OH 43232 USA

Please call
+1 (614) 253-8590

Send us an email
Sales@PrimeEquipmentGroup.com

More info
PrimeEquipmentGroup.com

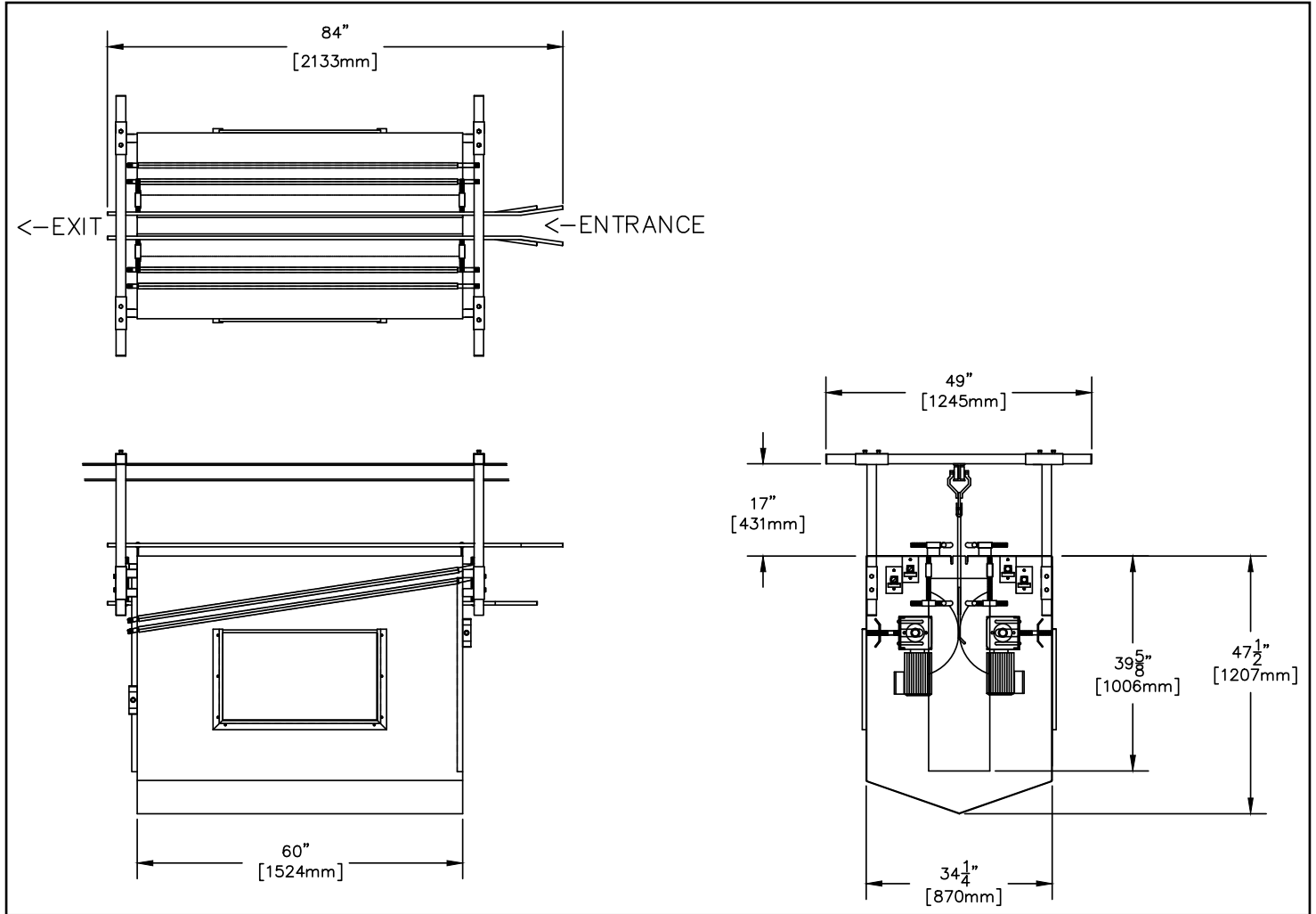


**STRONGER
TOGETHER**

**PRIME
EQUIPMENT GROUP**
Simple Solutions for Poultry Processing

POULTRY BRUSH SCRUBBERS

Evisceration (EBS-Series), Pre-Scald (PSS-Series), for Chicken & Turkey



TECHNICAL SPECIFICATIONS

Electrical Requirements:	(2) 1 hp motors, 230/460V, 3 ph, 60 Hz
Water Requirements:	(2) 3/4" connections; 40-80 GPM; 30-60 PSI min.
Net Weight:	Approx. 600 lbs. (272 kg)
Production Rate:	Variable with line speed and length
NOTE: Specifications are accurate at time of publication	