



**STRONGER
TOGETHER**

**PRIME
EQUIPMENT GROUP**
Simple Solutions for Poultry Processing

TAIL QUILL PULLER

Models: MSC-P (Chicken), MSC-T (Turkey)



MSC-Series Quill Pullers are proven, reliable solutions for removing tail quill feathers from chicken and turkey. Fully adjustable for height and angle, the Quill Puller offers maximum flexibility for fine-tuning tail picking.

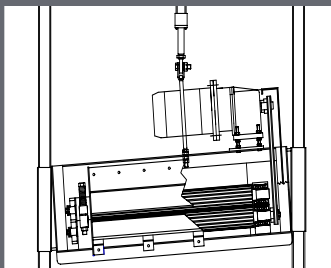
See Prime in action: View
www.PrimeEquipmentGroup.com/videos

Viewing online?
Click here

MANUAL HYDRAULIC HEIGHT
ADJUSTMENT

ROLLER TENSION ADJUSTED WITH
HEAVY-DUTY SPRINGS

SIMPLE, DURABLE, PROVEN DESIGN



PRIME ROI

CAN ALLOW FOR LOWER SCALDING TEMPERATURES WHEN
PLACED BEFORE THE SCALDER

LOW-MAINTENANCE DESIGN

LOW PARTS-REPLACEMENT COSTS



2001 Courtright Road
Columbus, OH 43232 USA



Please call
+1 (614) 253-8590



Send us an email
Sales@PrimeEquipmentGroup.com



More info
PrimeEquipmentGroup.com

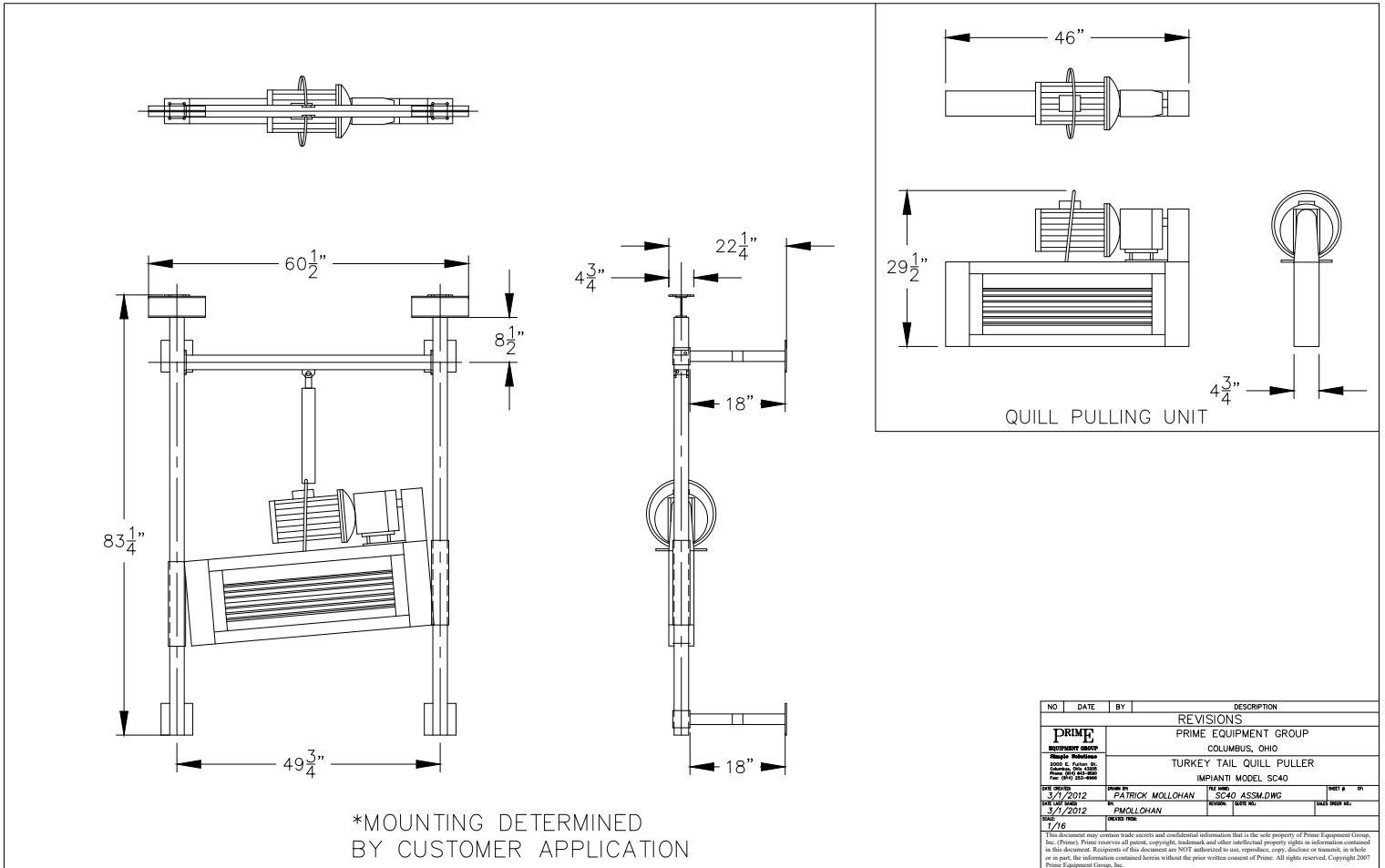


**STRONGER
TOGETHER**

**PRIME
EQUIPMENT GROUP**
Simple Solutions for Poultry Processing

TAIL QUILL PULLER

Models: MSC-P (Chicken), MSC-T (Turkey)



NO	DATE	BY	DESCRIPTION
REVISIONS			
PRIME EQUIPMENT GROUP			
COLUMBUS, OHIO			
TURKEY TAIL QUILL PULLER			
IMPIANTII MODEL SC40			
REVISED BY	DATE	REVISED BY	DATE
3/1/2012	3/1/2012	PATRICK MOLLOHAN	3/1/2012
1/16		PMOLLOHAN	
<small> This document may contain trade secrets and confidential information that is the sole property of Prime Equipment Group, Inc. (Prime). Prime reserves all patent, copyright, trademark and other intellectual property rights in information contained in this document. Receipts of this document are NOT authorized to use, reproduce, copy, disclose or transmit, in whole or in part, the information contained herein without the prior written consent of Prime. All rights reserved. Copyright 2007 Prime Equipment Group, Inc. </small>			

TECHNICAL SPECIFICATIONS

MSC-40 (Chicken) Motor:	1.5 hp
SC-40 (Turkey) Motor:	4 hp
Weight:	Approx 250 pounds (113 kg)
Production rate:	Variable with line speed