



**STRONGER
TOGETHER**

**PRIME
EQUIPMENT GROUP**
Simple Solutions for Poultry Processing

TURKEY LEG PROCESSOR WITH SPLITTER - ELECTRIC DRIVE

Model No. LP-1T, LS-1T



LP-1T/LS-1T The Turkey Leg Processor with Splitter is designed to mechanically remove legs from the back half or saddle. After cutting the ligament in the hip joint, the machine pulls the leg from the back, removing the back and the oyster with the thigh. The leg is then conveyed via the machine auger into a leg splitting module, which cuts through the joint, separating the thigh from the drumstick.

See Prime in action: View
www.YouTube.com/user/PrimeEquip

Viewing online?
Click here

OPTIMUM EFFICIENCY AVAILABLE WITH ONE
MACHINE FOR TOMS AND ONE FOR HENS

ELECTRIC DRIVE VERSION ELIMINATES
HYDRAULIC REQUIREMENT

HIGHLY DEPENDABLE AND EASY TO
MAINTAIN



PRIME ROI:

REDUCES LABOR COSTS: ONE OPERATOR CAN PROCESS 25-30
HENS OR TOMS PER MINUTE

SUPERIOR A-GRADE YIELD AND PRODUCT QUALITY

2001 Courtright Road
Columbus, OH 43232 USA

Please call
[+1 \(614\) 253-8590](tel:+16142538590)

Send us an email
Sales@PrimeEquipmentGroup.com

More info
PrimeEquipmentGroup.com

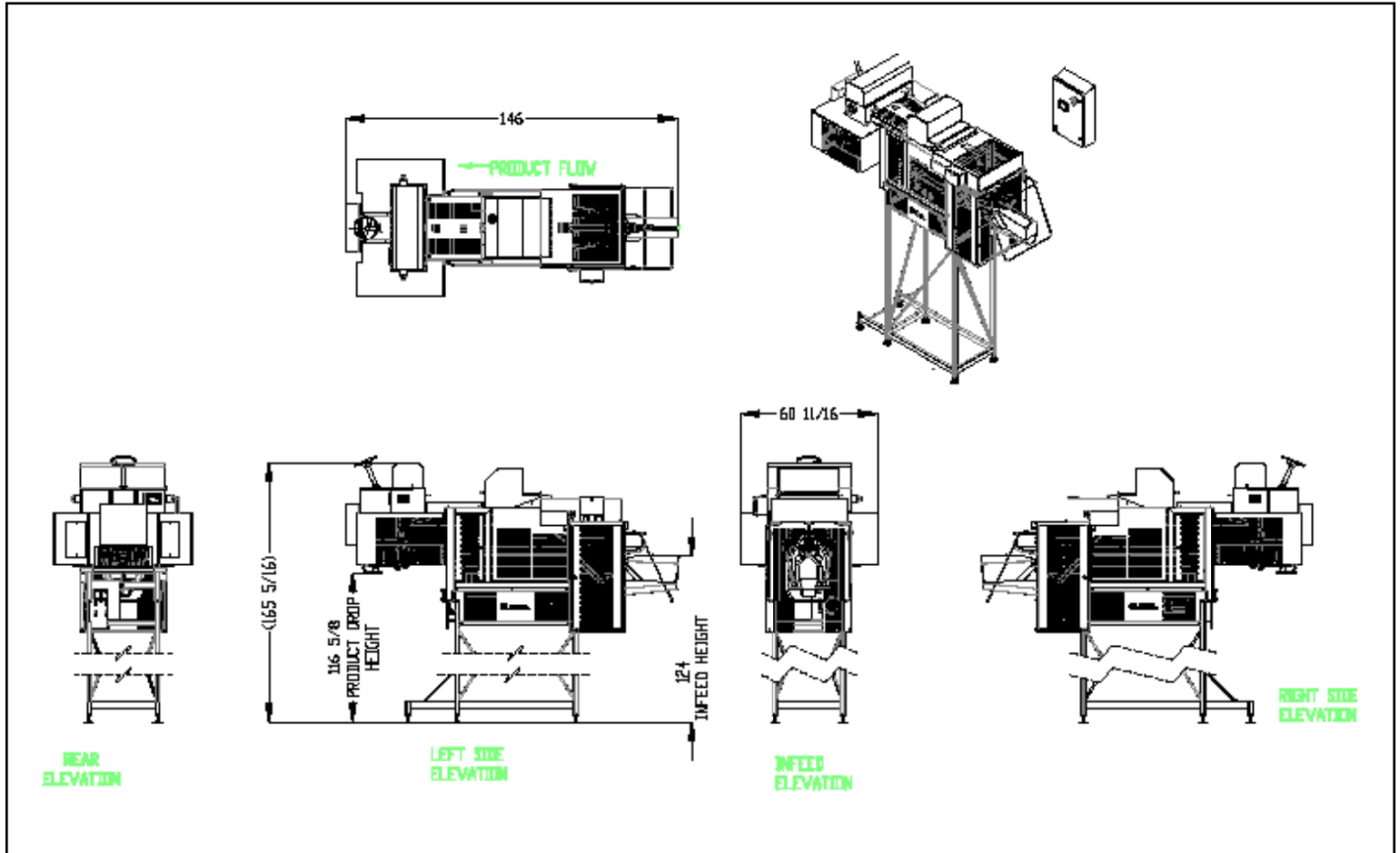


**STRONGER
TOGETHER**

**PRIME
EQUIPMENT GROUP**
Simple Solutions for Poultry Processing

TURKEY LEG PROCESSOR WITH SPLITTER - ELECTRIC DRIVE

Model No. LP-1T, LS-1T



TECHNICAL SPECIFICATIONS

Electrical Requirements:	To be determined
Net Weight:	1,935 lbs. (878 kg)
Gross Weight:	2,060 lbs. (943 kg)
Production Rate:	Toms: 25 to 30 per min. Hens: 25 to 30 per min.
NOTE: Specifications are accurate at time of publication	



2001 Courtright Road
Columbus, OH 43232 USA



Please call
+1 (614) 253-8590



Send us an email
Sales@PrimeEquipmentGroup.com



More info
PrimeEquipmentGroup.com