



**STRONGER
TOGETHER**

**PRIME
EQUIPMENT GROUP**
Simple Solutions for Poultry Processing

HOCK PICKER

Model No. HP-3



Shown without picking fingers installed



The HP-3 Hock Picker is a simple, effective and proven solution to remove hock feathers quickly and efficiently. Designed with three rotating heads per side, its simple design makes maintenance and sanitation easy.

See Prime in action: View www.PrimeEquipmentGroup.com/videos

Viewing online?
Click here

SIMPLE, EFFICIENT AND EFFECTIVE
HOCK-PICKING SOLUTION

THREE ROTATING HEADS PER SIDE

UNIT HANGS OVER AND IS ADJUSTABLE
TO THE OVERHEAD LINE



PRIME ROI:

EACH SIDE IS ADJUSTABLE BOTH IN VERTICAL AND HORIZONTAL POSITIONS FOR MAXIMUM PICKING PERFORMANCE

PROVEN DESIGN OFFERS TIME-TESTED, CONSISTENT RESULTS

PRIME EQUIPMENT GROUP QUALITY IS BUILT-IN

2001 Courtright Road
Columbus, OH 43232 USA

Please call
+1 (614) 253-8590

Send us an email
Sales@PrimeEquipmentGroup.com

More info
PrimeEquipmentGroup.com



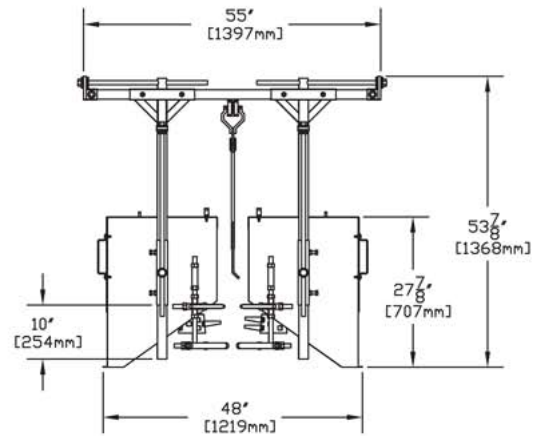
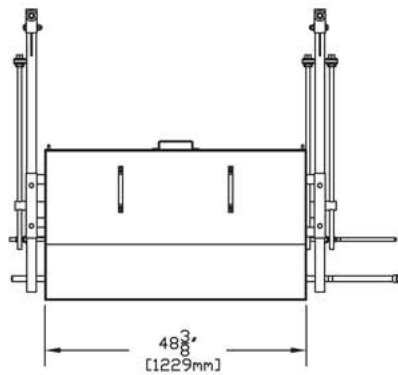
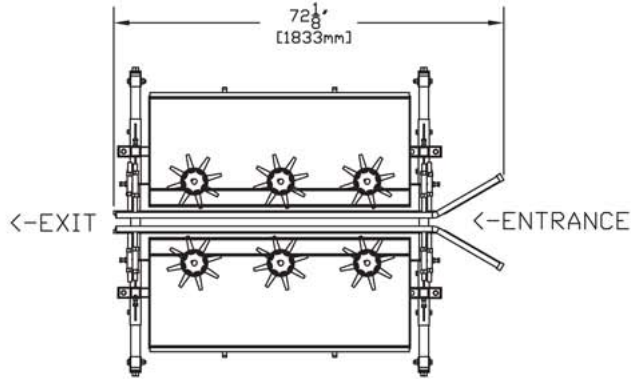
**STRONGER
TOGETHER**

**PRIME
EQUIPMENT GROUP**
Simple Solutions for Poultry Processing

HOCK PICKER

Model No. HP-3

DIVERSIFIED MACHINE PRODUCTS HOCK PICKER (HP-3)
EQUIPPED WITH ADJUSTABLE OVERHEAD SHACKLE LINE MOUNTING ASSEMBLY



TECHNICAL SPECIFICATIONS

Electrical Requirements:	(2) 2 hp motors; 230/460V, 3 ph, 60 Hz
Water Requirements:	(2) 1" connection NPT water supply lines
Net Weight:	1,750 lbs. (794 kg)
Picking banks:	(2) banks, (3) discs per bank
Production Rate:	Variable
NOTE: Specifications are accurate at time of publication	



2001 Courtright Road
Columbus, OH 43232 USA



Please call
+1 (614) 253-8590



Send us an email
Sales@PrimeEquipmentGroup.com



More info
PrimeEquipmentGroup.com