

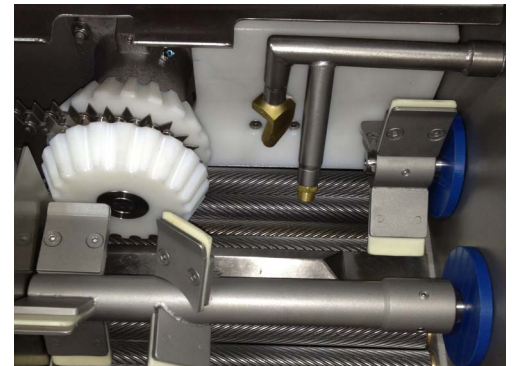


**STRONGER  
TOGETHER**

**PRIME  
EQUIPMENT GROUP**  
*Simple Solutions for Poultry Processing*

## TECTRU GIZZARD PROCESSOR

MODEL: GM 10000



The Tectru GM 10000 Gizzard Processor, distributed by Prime, is a high-capacity machine designed to butterfly cut and then clean up to 10,000 gizzards per hour. Adjustable for multiple gizzard sizes, the GM 10000 is a high-value machine with a compact footprint for ease of use.

See Prime in action: View  
[www.PrimeEquipmentGroup.com/videos](http://www.PrimeEquipmentGroup.com/videos)

Viewing online?  
Click here

ADJUSTABLE TO MULTIPLE GIZZARD  
SIZES

UNIFORM BUTTERFLY CUT OF GIZZARDS  
SIMPLIFIED DESIGN FOR EASY AND FAST  
CLEANING



### PRIME ROI:

HIGH YIELD DUE TO PRECISE CUT AND STREAMLINED INFEED SYSTEM  
THAT REDUCES GIZZARD DAMAGE  
EFFICIENT CLEANING OF GIZZARDS THROUGH A MECHANICAL SYSTEM  
AND WATER JETS

2001 Courtright Road  
Columbus, OH 43232 USA

Please call  
+1 (614) 253-8590

Send us an email  
[Sales@PrimeEquipmentGroup.com](mailto:Sales@PrimeEquipmentGroup.com)

More info  
[PrimeEquipmentGroup.com](http://PrimeEquipmentGroup.com)

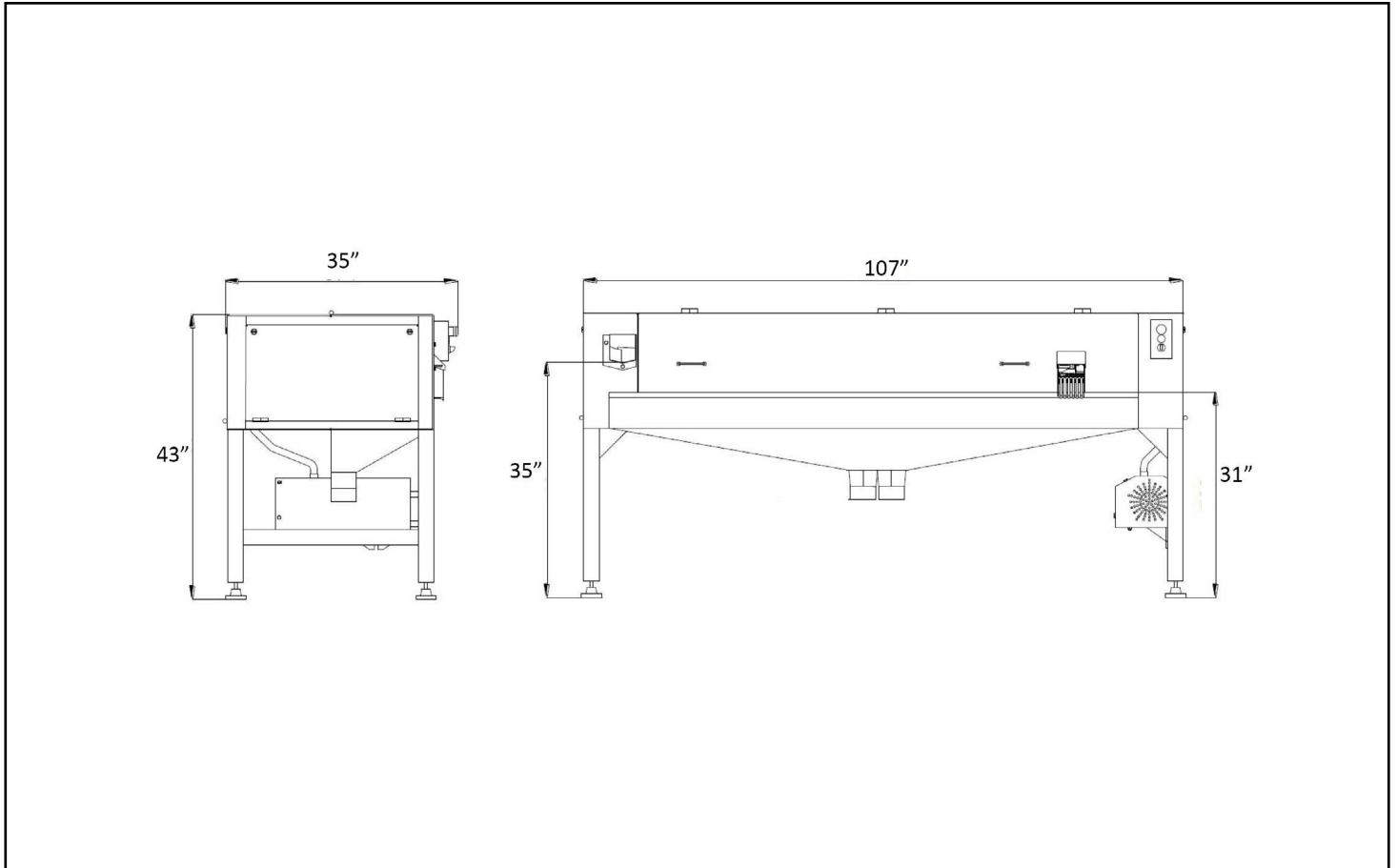


**STRONGER  
TOGETHER**

**PRIME  
EQUIPMENT GROUP**  
*Simple Solutions for Poultry Processing*

## TECTRU GIZZARD PROCESSOR

MODEL: GM 10000



### TECHNICAL SPECIFICATIONS

Electrical Requirements:	480V, 60Hz; 20A
Water Requirements:	(1) 2-inch connector; 27 gpm-
Weight:	1200 pounds
Production Rate:	Up to 10,000 gizzards/hour
NOTE: Specifications are accurate at time of publication	