

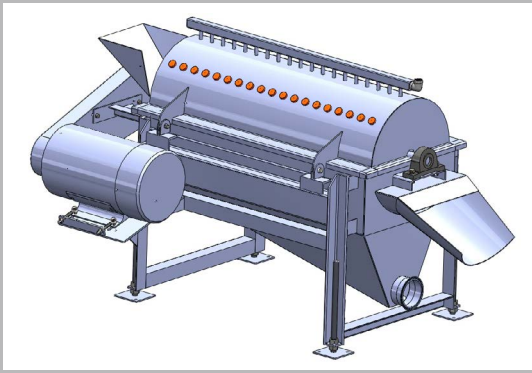


**STRONGER
TOGETHER**

PRIME
EQUIPMENT GROUP
Simple Solutions for Poultry Processing

GIZZARD PROCESSING EQUIPMENT CHICKEN AND TURKEY

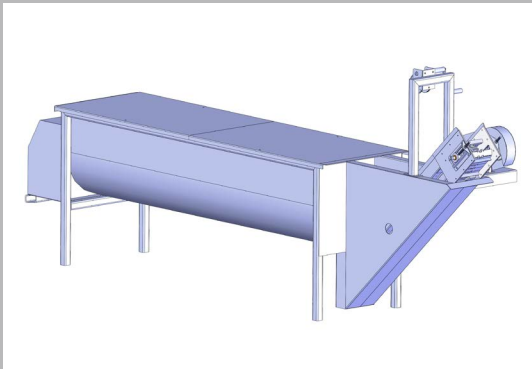
Models: GD-C, GD-T, MGP-2,
MGP-4, GC-1S-10, GC-2S-10



GD-T GIZZARD DEFATTER

GIZZARD DEFATTERS

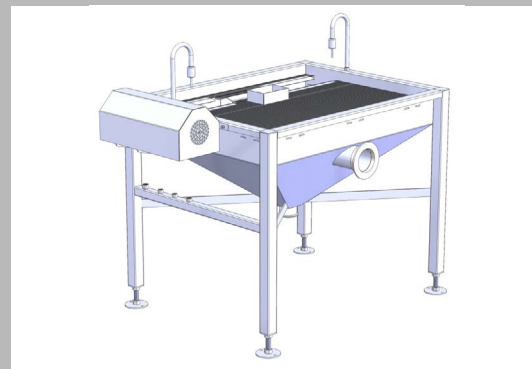
- NEW AND IMPROVED BOTTOM PRODUCT CATCH PAN
- HEAVY-DUTY STAINLESS STEEL CONSTRUCTION
- UNITS AVAILABLE FOR TURKEY AND CHICKEN GIZZARDS



SINGLE BARREL GIBLET CHILLER

GIZZARD/GIBLET PADDLE CHILLERS

- FEATURES PADDLE- OR SCREW-TYPE AGITATION FOR SUPERIOR DWELL
- AVAILABLE WITH WINDMILL OR ELEVATOR UNLOADER
- CUSTOMIZED MODELS (SINGLE/DOUBLE/TRIPLE BARREL)



MGP-2 GIZZARD PEELING TABLE

GIZZARD PEELING TABLES

- FEATURES DUAL-ACTION PEELER ROLLER DESIGN
- CUSTOMIZED MODELS AVAILABLE WITH 1 - 6 STATIONS
- WEDGEWIRE WORKING TABLE FOR IMPROVED SANITATION
- INCLUDES RINSE GOOSENECKS WITH WATER-SAVERS

See Prime in action: View
www.PrimeEquipmentGroup.com/videos

Viewing online?
Click here

2001 Courtright Road
Columbus, OH 43232 USA

Please call
+1 (614) 253-8590

Send us an email
Sales@PrimeEquipmentGroup.com

More info
PrimeEquipmentGroup.com