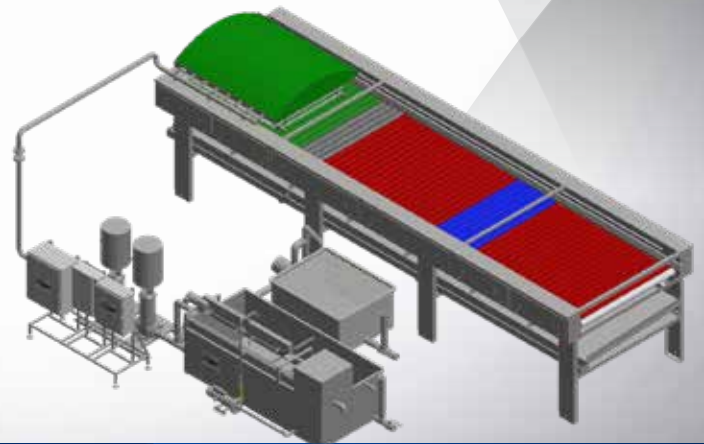


## Freshgard® High Pressure Washer System



General cleaning and scale removal of citrus and avocados.

This JBT patented innovation is regarded as one of the most significant technological advances for growers and packers during the past 20 years. As the industry benchmark, Freshgard® High Pressure Washers come in models that offer a range of pressures for general cleaning and scale removal of citrus and avocados.

---

### Product Features & Benefits

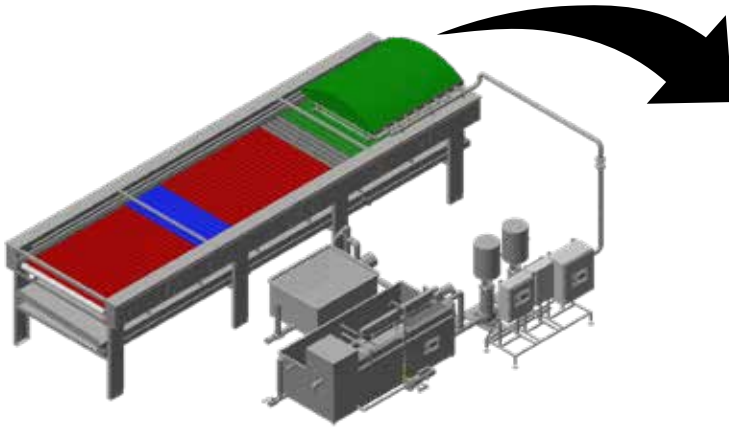
- Removes citrus sooty mold
- Removes scale without damaging fruit
- Increases packable fruit
- Proven safe on fruit - over 20 years of field use
- Recycled water system for reduced water consumption
- Adjustable pressure settings to adapt to fruit condition
- Fully automated water filtering system design
- Innovative design for low maintenance
- Option available for automated sanitizer dosing
- Can be mounted over existing brush bed
- Backed by JBT Technical Service for optimum operation

## SPECIFICATIONS

**ELECTRICAL REQUIREMENTS (US)** 480 VAC, 3-Phase, 75-150 AMPS  
(Export models will vary)

**WATER PRESSURE** 150-450 PSI (Depending on Model)

**WATER INPUT** 15-20 Gallons/Min



\*Brushbed not included

For additional information on Freshgard® High Pressure Washer System and other postharvest citrus products, contact your JBT Sales Representative today.

## COUNT ON JBT TO HELP PROTECT YOUR INVESTMENT

JBT's greatest value in PRoCARE® services comes from preventing unexpected costs through smart, purposeful, and timely maintenance based on unmatched knowledge and expertise. PRoCARE service packages are offered as a maintenance agreement in various service levels, depending on your production and cost management requirements.



## JBT LIQUID FOODS

FRESH PRODUCE TECHNOLOGIES | FRESH-CUT, ROBOTICS, STEAMING | FRUIT AND VEGETABLE PROCESSING | SECONDARY PROCESSING | ASEPTIC SYSTEMS | FILLING AND CLOSING | IN-CONTAINER STERILIZING | TRAY SEALING | HIGH-PRESSURE PROCESSING | POWDER PROCESSING | TUNA PROCESSING

## OUR BRANDS



### JBT Corporation

1660 Iowa Avenue  
Suite 100  
Riverside, CA 92507  
USA  
Phone: +1 951 222 2300  
Fax: +1 951 788 1761  
fptinfo@jbt.com

### JBT Corporation

400 Fairway Avenue  
Lakeland, FL 33801  
USA  
Phone: +1 863 683 5411  
Fax: +1 863 680 3672

### JBT Corporation

9829 W. Legacy Avenue  
Visalia, CA 93291  
USA  
Phone: +1 559 651 8300  
Fax: +1 559 651 2029  
citrus.info@jbt.com

### JBT Corporation

3206 Industrial 33rd St.  
Fort Pierce, FL 34946  
USA  
Phone: +1 772 461 5471  
Fax: +1 772 464 078

### JBT Corporation

2007 Ahtanum Road  
Yakima, WA 98903  
USA  
Phone: +1 509 952 8802  
Fax: +1 509 457 4837

### John Bean Technologies (Shanghai) Co., Ltd.

Room 3002-3003  
Haitong Security Building  
No. 689 Guangdong Road  
Shanghai 200001 China  
Phone: +86 21 6341 1616  
Fax: +86 21 6341 0708

### John Bean Technologies (Pty) Ltd.

Koper Street  
Brackenfell 7560  
Cape Town  
South Africa  
Phone: +27 21 982 1130  
Fax: +27 21 982 1136

### John Bean Technologies (Thailand) Ltd.

No. 159/26 Serm-Mit Tower  
Room No. 1602-3 Sukhumvit 21 Rd  
Klongtoey Nua Sub-District,  
Wattana District  
Bangkok 10110 Thailand  
Phone: +66 2 257 4000  
Fax: +66 2 261 4099

### John Bean Technologies De México, S. De R.L. De C.V.

Camino Real a San Andrés  
Cholula No. 2612  
Col. San Bernardino Tlaxcalancingo  
San Andrés Cholula, Puebla  
CP 72820 México  
Phone: +52 222 329 4902  
Fax: +52 222 329 4903 ext 109



We're with you, right down the line.™

jbtproducesolutions.com | jbt.com

