



**STRONGER
TOGETHER**

**PRIME
EQUIPMENT GROUP**
Simple Solutions for Poultry Processing

FOOT UNLOADER

Model No. FU-FT



The Prime Foot Unloader is a high-volume, efficient and durable solution to remove feet from shackles. Mounted in-line, the Foot Unloader removes the foot with rotating paddles for positive contact and effective operation. Made of high-quality stainless steel and built to last, the Prime Foot Unloader can be used with Prime's complete line of paw processing equipment.

See Prime in action: View
www.PrimeEquipmentGroup.com/videos

Viewing online?
Click here

REMOVES FOOT FROM SHACKLES USING
ROTATING PADDLES

DURABLE, HIGH-QUALITY COMPONENTS
FOR LONG LIFE

PART OF A COMPLETE PRIME PAW
SYSTEM



PRIME ROI:

FULLY AUTOMATIC; REQUIRES NO WORKERS

INLINE MACHINE PROCESSES AT AN EXTREMELY HIGH
VOLUME, DEPENDING ON LINE SPEED

2001 Courtright Road
Columbus, OH 43232 USA

Please call
+1 (614) 253-8590

Send us an email
Sales@PrimeEquipmentGroup.com

More info
PrimeEquipmentGroup.com

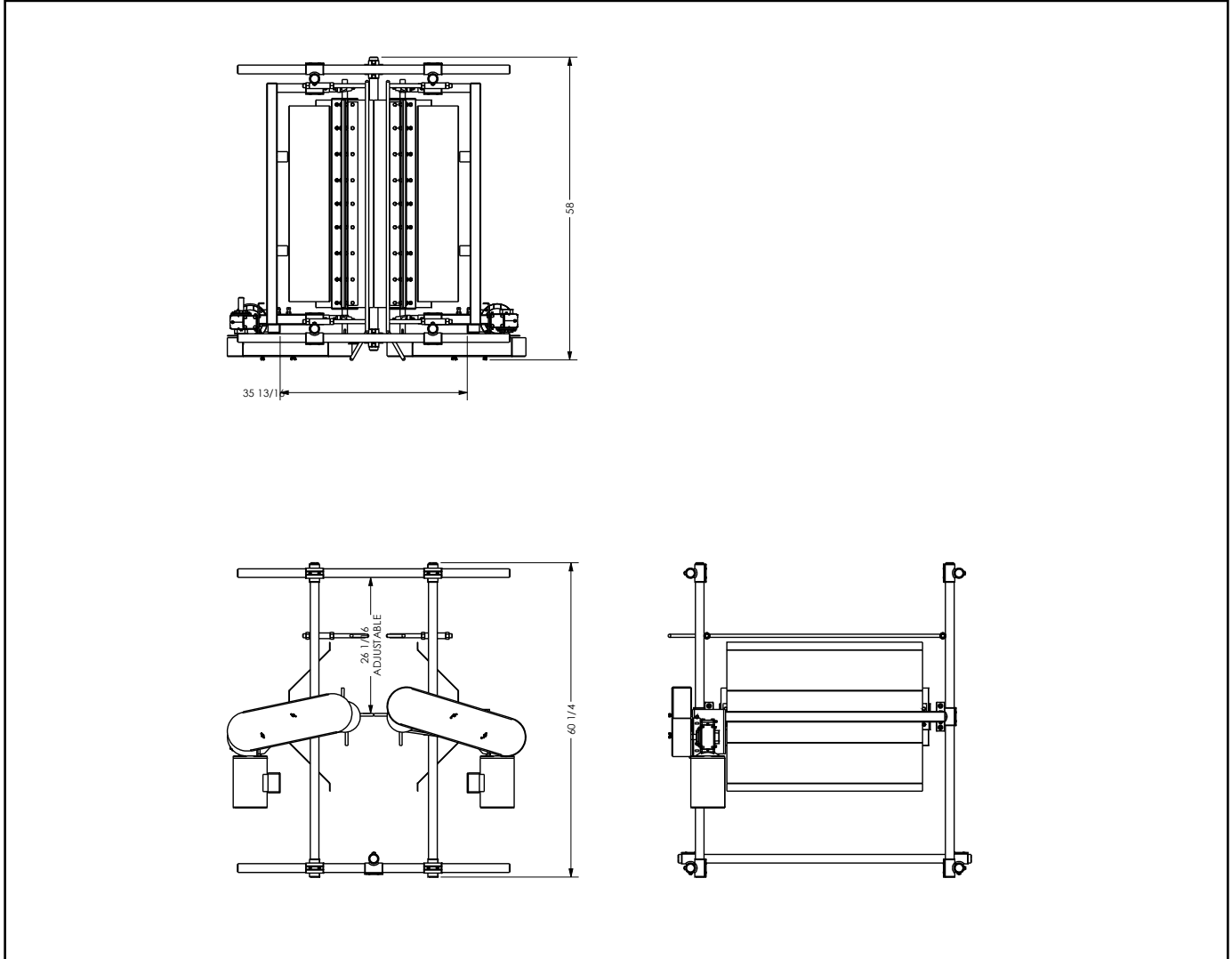


**STRONGER
TOGETHER**

**PRIME
EQUIPMENT GROUP**
Simple Solutions for Poultry Processing

FOOT UNLOADER

Model No. FU-FT



TECHNICAL SPECIFICATIONS

Electrical Requirements:	(2) 1 HP, 208/230/460 Volt 3-Phase motors
Production Rate:	Variable with line speed
NOTE: Specifications are accurate at time of publication	