

Digital Reading Tenderometer

Model 4011



Accurately measures the hardness and ripeness of fresh or scalded legumes, potatoes, peas and beans

Purpose

The JBT Digital Tenderometer is designed to provide high precision outcomes for the comparative measurement of the hardness and/or ripeness of fresh or scalded products, particularly peas, beans, broad beans, potatoes and legumes at large, but also strawberries and diced fruit in general.

Execution

The machine is manufactured mainly from stainless steel, its processor-based control electronic system being housed in a fully closed container for improved protection. The electronic system can be easily removed for repairing, if need be.

Operation

The product sample is placed into the measurement cell of the Tenderometer where an electronic motor rotates a set of gauged, rotary knives. While cutting is in progress, the force applied onto a reaction assembly formed by a set of static knives is detected by high accuracy meter.

The resultant outgoing signal is transferred to the microprocessor based control system which shows the final value on the liquid crystal display in tenderometric degrees. The device simultaneously sends data to the field printer as well as transmitting to a remote personal computer. Both the absolute value from the test in progress and the result of the arithmetic mean from up to the last 20 tests performed can be shown on the display and on the slip issued by the printer.

Benefits / Features

- High accuracy achieved through:
 - Oversized, rotary type load cell successfully used in previous tenderometer models, including the well known FMC 3384 Tenderometer for peas
 - Extremely reliable electronic control system with built-in digital graphic display and print device
 - Measurement system free of initial calibration values

- High working capacity: up to 40 tests/hour
- Very easy restoration of initial calibration values
- Double CIP system; controlled by microprocessor
- Arithmetic mean function for up to the last 20 outcomes

- Capability of displaying and printing the supplier code and the product variety
- USB interface for data transmission to a remote computer
- Optional - Kit Bluetooth interface.

APPROXIMATE SPECIFICATIONS

SIZE OF FEED HOPPER 107x130 mm

TEMPERATURE LIMIT +4° ÷ +40°C

PRODUCT CHECKED EACH TEST 0,3 dm³

RANGE 30 to 300 Tenderometer Units

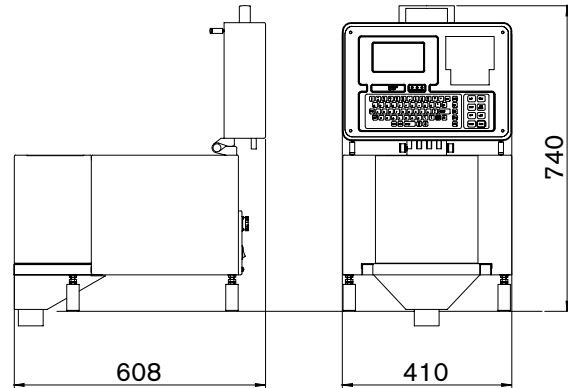
ACCURACY 0,5 %

CAPACITY up to 40 Tests/h

POWER REQUIREMENTS 0,4 kW

WATER REQUIREMENTS approx. 50 l/h at 3 Kg/cm²

WEIGHT CRATED 100 Kg



COUNT ON JBT TO HELP PROTECT YOUR INVESTMENT

JBT's greatest value in PRoCARE® services comes from preventing unexpected costs through smart, purposeful, and timely maintenance based on unmatched knowledge and expertise. PRoCARE service packages are offered as a maintenance agreement in various service levels, depending on your production and cost management requirements.



JBT LIQUID FOODS

FRESH PRODUCE TECHNOLOGIES | FRESH-CUT, ROBOTICS, STEAMING | FRUIT AND VEGETABLE PROCESSING | SECONDARY PROCESSING | ASEPTIC SYSTEMS | FILLING AND CLOSING | IN-CONTAINER STERILIZING | TRAY SEALING | HIGH-PRESSURE PROCESSING | POWDER PROCESSING | TUNA PROCESSING

OUR BRANDS



Europe

John Bean Technologies SpA
Via Mantova 63/A
43122 Parma
Italy
Phone: +39 0521 908 411
Fax: +39 0521 460 897

Latin America

JBT de México S de RL de CV
Camino Real a San Andrés Cholula No. 2612
Col. San Bernardino Tlaxcalancingo
72820 San Andrés Cholula, Puebla
México
Phone: +52 222 329 4902
Fax: +52 222 329 4903

John Bean Technologies NV

Breedstraat 3
9100 Sint-Niklaas
Belgium
Phone: +32 3 780 1211
Fax: +32 3 777 7955

Asia Pacific

John Bean Technologies (Shanghai) Co., Ltd.
Room 1908, Hongwell International Plaza,
1600 West Zhongshan Road,
Xuhui District, Shanghai 200235,
PRC
Phone: +86 21 3339 1588
Fax: +86 21 3339 1599
infoasia-jbtfoodtech@jbt.com

North America

John Bean Technologies Corporation
2300 Industrial Avenue
Madera CA 93639
USA
Phone: +1 559 661 3200
Fax: +1 559 661 3156



We're with you, right down the line.™

hello@jbt.com | jbt.com

