

DSI™ DB20 Dual-Blade Portioning System

Optimize Yield & Performance

- A** Yield optimization software ensures precise cuts and the highest yields in portioning applications
- A** DSI BladeSense™ Software increases throughput and improves cutting performance
- A** Touchscreen interface allows for quick changeover between different applications
- A** Product and process information such as yield, throughput and other important data is accessible locally and on mobile devices

Achieve Consistent Portioning Accuracy

- B** Robust conveyor structure maintains consistent cutting gap
- C** Precision quick-change blades allow for timely change out of dull blades

Reduce Maintenance

Blades

- A** Blade change notification alerts operator of opportune time to change blades
- F** Quick-change blades minimize equipment maintenance time

Belts

- G** Self-aligning modular belt is more durable than competing belts, improving uptime
- H** Belts or belt sections can be replaced quickly

Increase Production

- D** Belt speeds of up to 100 feet (31 meters) per minute
- E** Up to 2200 cuts per minute, per lane

Improve Hygiene

- I** Water-resistant servo motors allow for direct wash down during cleaning and do not require a motor housing
- J** Ample lighting, open surfaces and removable features simplify sanitation procedures
- K** Cutting debris is collected via removable trays, enabling easier clean-up and debris collection

Improve Safety

- L** Exterior controls ensure operator safety during cutting angle adjustments

Robust Structure

- M** Solid conveyor structure reduces need for frequent belt alignments

Adaptable Platform

- N** Scanning module can be redeployed as an adaptive slicer or act as a standalone scanning system



We are your single source for profitable processing solutions

JBT can provide you with portioners, freezers and everything in between – including process control, food product development assistance, operator training and a full range of customer support alternatives.

Our Food Technology Centers have served leading processors in the development of many of the world's most popular food brands. Learn how to increase your processing potential by contacting your JBT Account Representative or by visiting our website.

We're with you, right down the line.™

www.jbtfoodtech.com



www.jbtfoodtech.com

North America

JBT
1622 First Street
Sandusky, OH 44870
USA
Phone +1 419 626 0304
Fax +1 419 626 9560
process-solutions@jbt.com

Asia

John Bean Technologies (Thailand) Ltd.
159/26 Serm-Mit Tower, Room no. 1602-3
Sukhumvit 21 Road, Klongtoey Nua Sub-district
Wattana District, Bangkok 10110 Thailand
Phone: + 66 2257 4000
Fax: + 66 2261 4099
infoasia-jbtfoodtech@jbt.com

Europe

JBT
Rusthallsгатan 21, Box 913
SE-251 09 Helsingborg
SWEDEN
Phone +46 42 490 4000
Fax +46 42 490 4040
info-europe@jbt.com

Latin America

John Bean Technologies
Máq. Equip. Ind. Ltda.
Av Eng Luis Carlos Berrini, 1461
9th Floor – Brooklin
04571-903 Sao Paulo BRAZIL
Phone: + 55 11 3055 1010
Fax +55 11 3055 1030
latinamerica.info@jbt.com

Subject to change without notice. 1 • 16 300



A Low-Maintenance Blade Portioner Powered by DSI™ Software

For more than 30 years, the further processing industry has depended on JBT's proven DSI portioning solutions for poultry, red meat, pork and seafood applications. With innovations such as waterjet portioning, our patented DSI Q-LINK™ portioning software, scanning and conveyor technology advancements, our customers have been able to process a wider variety of cut strategies while achieving increased throughput and the highest yields.

Now, with the development of the new DSI DB20 Portioning System, JBT has assembled DSI's portioning innovations and applied them to a dual-blade portioner.

- A cost-effective portioning solution for simple linear poultry and fish portioning applications
- An effective portioning solution for plants that may have water, noise or electrical power restrictions
- Runs industry-leading DSI Q-LINK Portioning Software

Put our portioning solutions to the test. Schedule testing or training time in our state-of-the-art Tech Center in Sandusky, Ohio by calling 419 627 4319.



Optimize Yield & Performance

- A** Yield optimization software ensures precise cuts and the highest yields in portioning applications
- A** DSI BladeSense™ Software increases throughput and improves cutting performance
- A** Touchscreen interface allows for quick changeover between different applications
- A** Product and process information such as yield, throughput and other important data is accessible locally and on mobile devices

Achieve Consistent Portioning Accuracy

- B** Robust conveyor structure maintains consistent cutting gap
- C** Precision quick-change blades allow for timely change out of dull blades

Increase Production

- D** Belt speeds of up to 100 feet (31 meters) per minute
- E** Up to 2200 cuts per minute, per lane

Reduce Maintenance

Blades

- A** Blade change notification alerts operator of opportune time to change blades
- F** Quick-change blades minimize equipment maintenance time

Belts

- G** Self-aligning modular belt is more durable than competing belts, improving uptime
- H** Belts or belt sections can be replaced quickly

Improve Hygiene

- I** Water-resistant servo motors allow for direct wash down during cleaning and do not require a motor housing
- J** Ample lighting, open surfaces and removable features simplify sanitation procedures
- K** Cutting debris is collected via removable trays, enabling easier clean-up and debris collection

Improve Safety

- L** Exterior controls ensure operator safety during cutting angle adjustments

Robust Structure

- M** Solid conveyor structure reduces need for frequent belt alignments

Adaptable Platform

- N** Scanning module can be redeployed as an adaptive slicer or act as a standalone scanning system

A Low-Maintenance Blade Portioner Powered by DSI™ Software

For more than 30 years, the further processing industry has depended on JBT's proven DSI portioning solutions for poultry, red meat, pork and seafood applications. With innovations such as waterjet portioning, our patented DSI Q-LINK™ portioning software, scanning and conveyor technology advancements, our customers have been able to process a wider variety of cut strategies while achieving increased throughput and the highest yields.

Now, with the development of the new DSI DB20 Portioning System, JBT has assembled DSI's portioning innovations and applied them to a dual blade portioner.

- A cost effective portioning solution for simple linear poultry and fish portioning applications
- An effective portioning solution for plants that may have water, noise or electrical power restrictions
- Runs industry leading DSI Q-LINK Portioning Software

Put our portioning solutions to the test. Schedule testing or training time in our state-of-the-art Tech Center in Sandusky, Ohio by calling 419 627 4319.

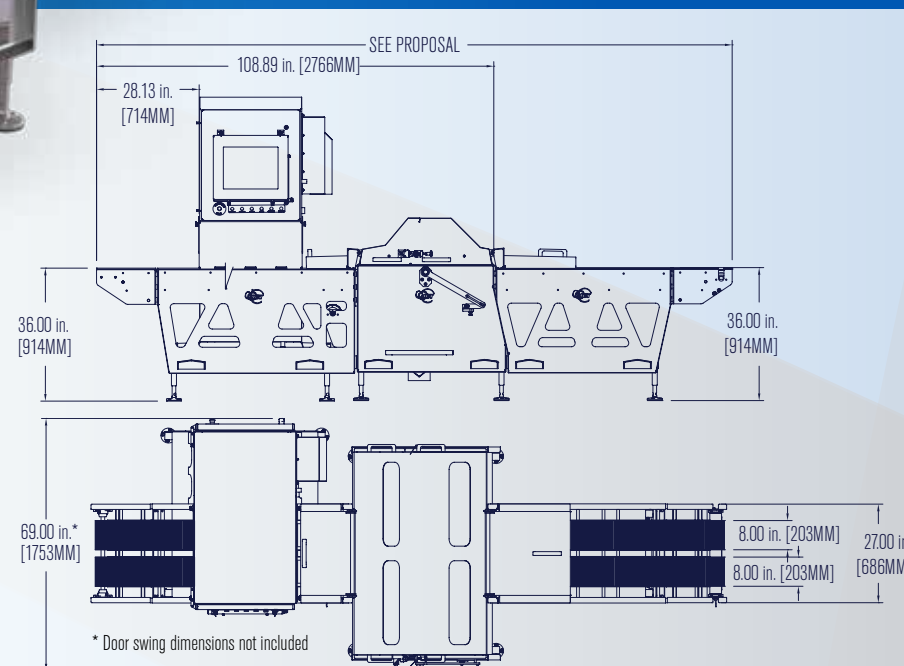


DSI Q-LINK Portioning Software

Yield optimization software ensures precise cuts and the highest yields in portioning applications.

- The DB20 portioning system employs the same Q-LINK software as the industry-leading DSI waterjet portioning, trimming and scanning systems
- Touchscreen display allows for quick changeover between different product applications
- Product and process information such as yield, throughput and other important data is accessible locally and on mobile devices

DIMENSIONS



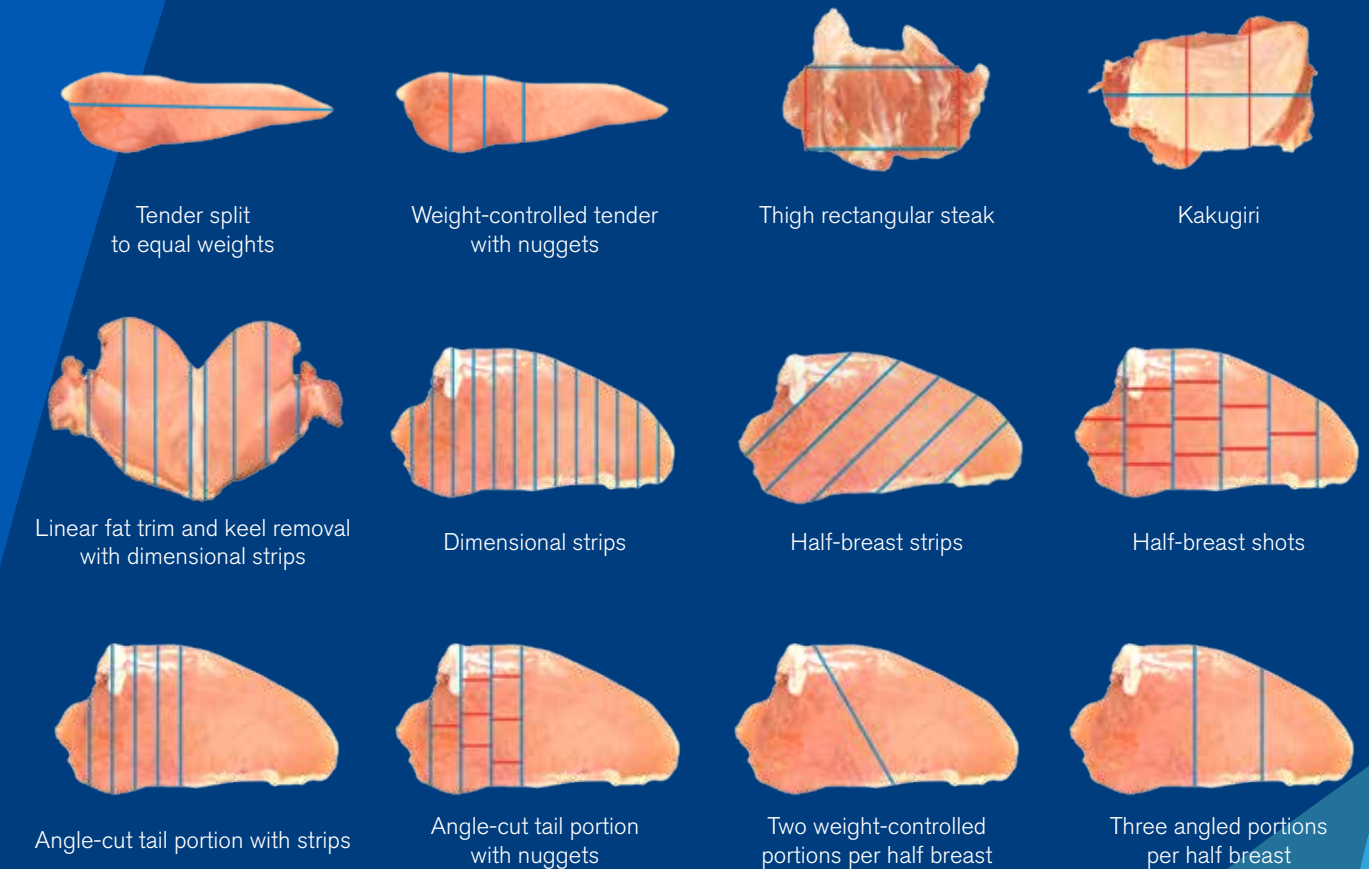
DSI Q-LINK™ Portioning Software



Image represents a sampling of cut strategies.

- Blue lines denote first-pass cuts
- Red lines denote second-pass cuts

POULTRY APPLICATIONS



FISH APPLICATIONS

