



**STRONGER
TOGETHER**

**PRIME
EQUIPMENT GROUP**
Simple Solutions for Poultry Processing

DFS-SERIES DE-WATERING SCREENS MULTIPLE DIAMETERS (UP TO 36 INCHES) AND LENGTHS (UP TO 10 FEET)

Models: DFS Series



Prime DFS-Series De-Watering Screens are horizontally mounted, internally fed stainless steel wedge wire drums that effectively remove process water from various solid materials. Our most common separator applications are for skin and offal, but Prime also designs systems for other food industries. Various drum diameters are available up to 36 inches (91.5 cm) I.D., with lengths of up to 10 feet (304.8 cm).

EFFECTIVELY REMOVES PROCESS
WATER FROM SOLIDS

HIGH-PERFORMING AND DEPENDABLE
WEDGE WIRE DESIGN

CUSTOM SCREEN OPENINGS
AVAILABLE FOR VARIOUS
APPLICATIONS

See Prime in action: View
www.YouTube.com/user/PrimeEquip

Viewing online?
Click here



PRIME ROI:

COLLECT SOLIDS FOR SALES OR DISPOSAL

COST-EFFECTIVE SOLUTION FOR DE-WATERING

PROVEN DESIGN OFFERS TIME-TESTED, CONSISTENT RESULTS

2001 Courtright Road
Columbus, OH 43232 USA

Please call
[+1 \(614\) 253-8590](tel:+1(614)253-8590)

Send us an email
Sales@PrimeEquipmentGroup.com

More info
PrimeEquipmentGroup.com

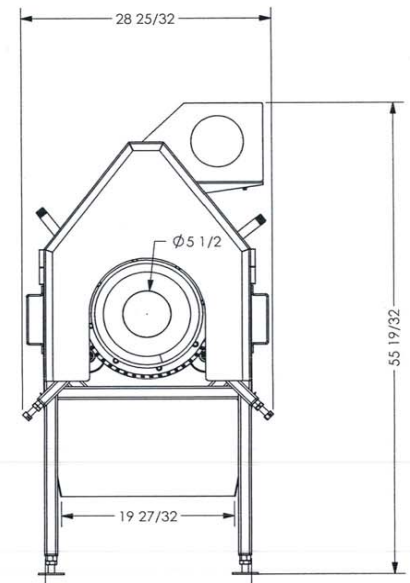
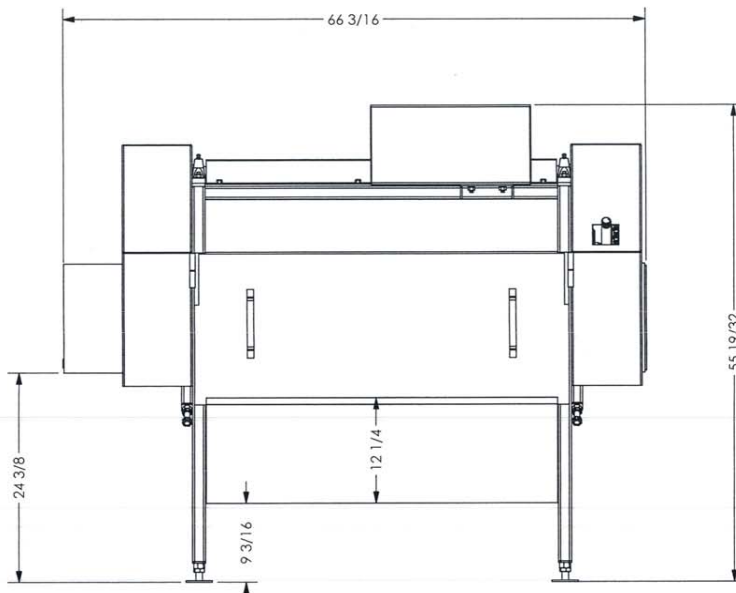
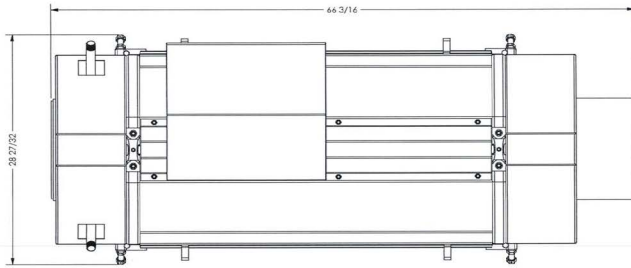


**STRONGER
TOGETHER**

**PRIME
EQUIPMENT GROUP**
Simple Solutions for Poultry Processing

DFS-SERIES DE-WATERING SCREENS MULTIPLE DIAMETERS (UP TO 36 INCHES) AND LENGTHS (UP TO 10 FEET)

Models: DFS Series



TECHNICAL SPECIFICATIONS

Electrical Requirements up to 20 -inch diameter:	(1) 3/4 hp motor 208/230/406V, 3 ph, 60 Hz
Electrical Requirements more than 20-inch diameter:	(1) 2 hp motor, 208/230/460V, 3 ph, 60 Hz
Net Weight:	Pictured: Std. 12" I.D. X 3' L screen: 400 lbs. (181 kg)
A wide variety of sizes are available to satisfy your product and volume requirements!	
NOTE: Specifications are accurate at time of publication	