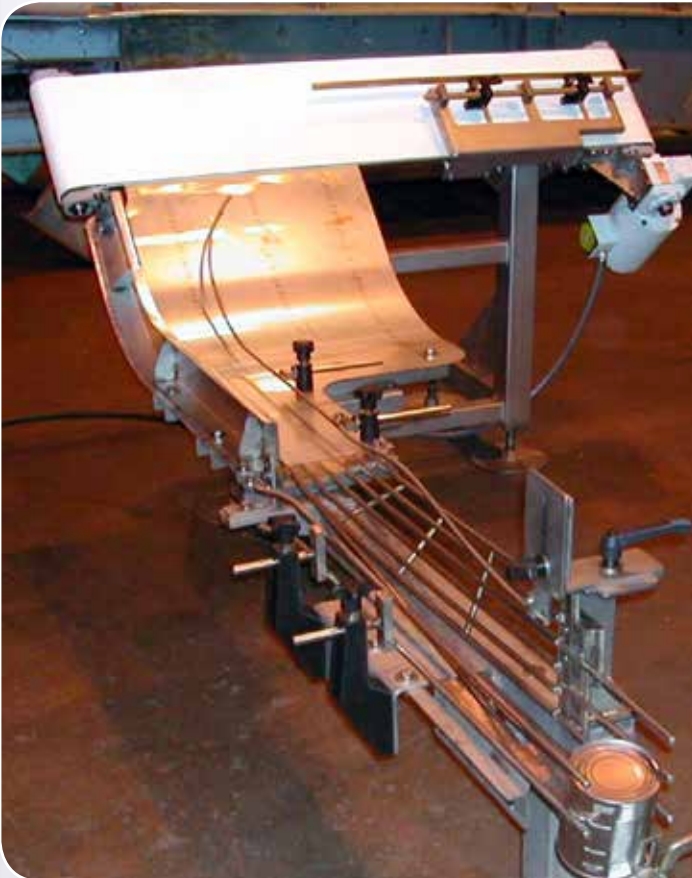


## Can Uprighter



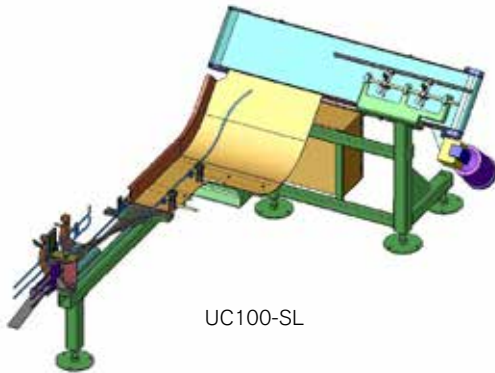
### Can Uprighter:

- Few Moving Parts
- Gentle Container Handling
- Heavy Duty Conveyor
- Direct Drive
- Positive Tracking V-belt
- Ceramic Sealed Bearings
- Quick Belt Change-Over
- Frequent Wash Down Duty
- Rigid Stainless Steel Construction
- No Change Parts Required

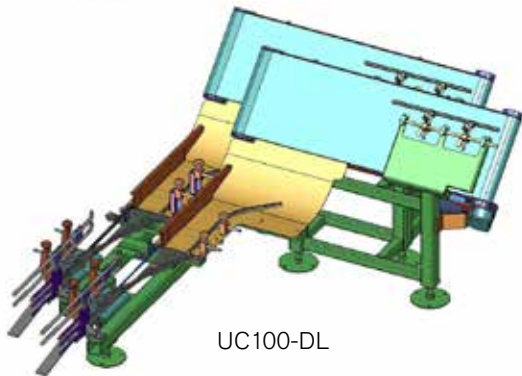
In-line device used to reorient cylindrical containers from the laid down position to an upright position

## Features

- The JBT Can Uprighter is an in-line device used to reorient cylindrical containers from the laid down position to an upright position.
- The inclined conveyer separates the continuous stream of containers. Once the gap is obtained, the can rolls down into an adjustable twist that rotates it up to a vertical position.
- All guides are adjustable to handle a wide range of cylindrical container sizes.
- Change over for numerous combinations of can diameters and heights is done without the need for change parts or tools.
- Uprighters can be delivered in single lane (S) or dual lanes (D) configuration with a right hand (R) or left hand (L) drop.
- Variable speed drive can be located on the uprighter frame or at a remote location.
- The height of the leg is adjustable to insure proper fit-up with infeed and take- away can lines.



UC100-SL



UC100-DL

### AVAILABLE OPTIONS

Model #	Drive HP	Discharge Configuration	
UC100-SL	1.0 HP	SINGLE	LEFT HAND
UC100-SR	1.0 HP	SINGLE	RIGHT HAND
UC100-DL	1.0 HP	DOUBLE	LEFT HAND
UC100-DR	1.0 HP	DOUBLE	RIGHT HAND
UC200-SL	2.0 HP	SINGLE	LEFT HAND
UC200-SR	2.0 HP	SINGLE	RIGHT HAND
UC200-DL	2.0 HP	DOUBLE	LEFT HAND
UC200-DR	2.0 HP	DOUBLE	RIGHT HAND

## Process Consulting

JBT, as a recognized Thermal Process Authority, can provide assistance in conducting heat penetration studies, temperature distribution and spore count reduction tests, thermal process determination and filing, technical support for compliance with the FDA and USDA regulations.

### COUNT ON JBT TO HELP PROTECT YOUR INVESTMENT

JBT's greatest value in PRoCARE® services comes from preventing unexpected costs through smart, purposeful, and timely maintenance based on unmatched knowledge and expertise. PRoCARE service packages are offered as a maintenance agreement in various service levels, depending on your production and cost management requirements.



### JBT LIQUID FOODS

FRESH PRODUCE TECHNOLOGIES | FRESH-CUT, ROBOTICS, STEAMING | FRUIT AND VEGETABLE PROCESSING | SECONDARY PROCESSING | ASEPTIC SYSTEMS | FILLING AND CLOSING | IN-CONTAINER STERILIZING | TRAY SEALING | HIGH-PRESSURE PROCESSING | POWDER PROCESSING | TUNA PROCESSING

### OUR BRANDS



### North America

John Bean Technologies Corporation  
2300 Industrial Avenue  
Madera CA 93639  
USA  
Phone: +1 559 661 3200  
Fax: +1 559 661 3156

### Europe

John Bean Technologies SpA  
Via Mantova 63/A  
43122 Parma  
Italy  
Phone: +39 0521 908 411  
Fax: +39 0521 460 897

### South America

John Bean Technologies  
Máq. e Equip. Ind. Ltda.  
Av. Eng Camilo Dinucci 4605  
14808-900 Araraquara, São Paulo  
Brazil  
Phone: +55 16 3301 2000  
Fax: +55 16 3301 2144

### Asia Pacific

John Bean Technologies (Shanghai) Co., Ltd.  
Room 1908, Hongwell International Plaza,  
1600 West Zhongshan Road,  
Xuhui District, Shanghai 200235,  
PRC  
Phone: +86 21 3339 1588  
Fax: +86 21 3339 1599



We're with you, right down the line.™

hello@jbt.com | [jbt.com](http://jbt.com)

