

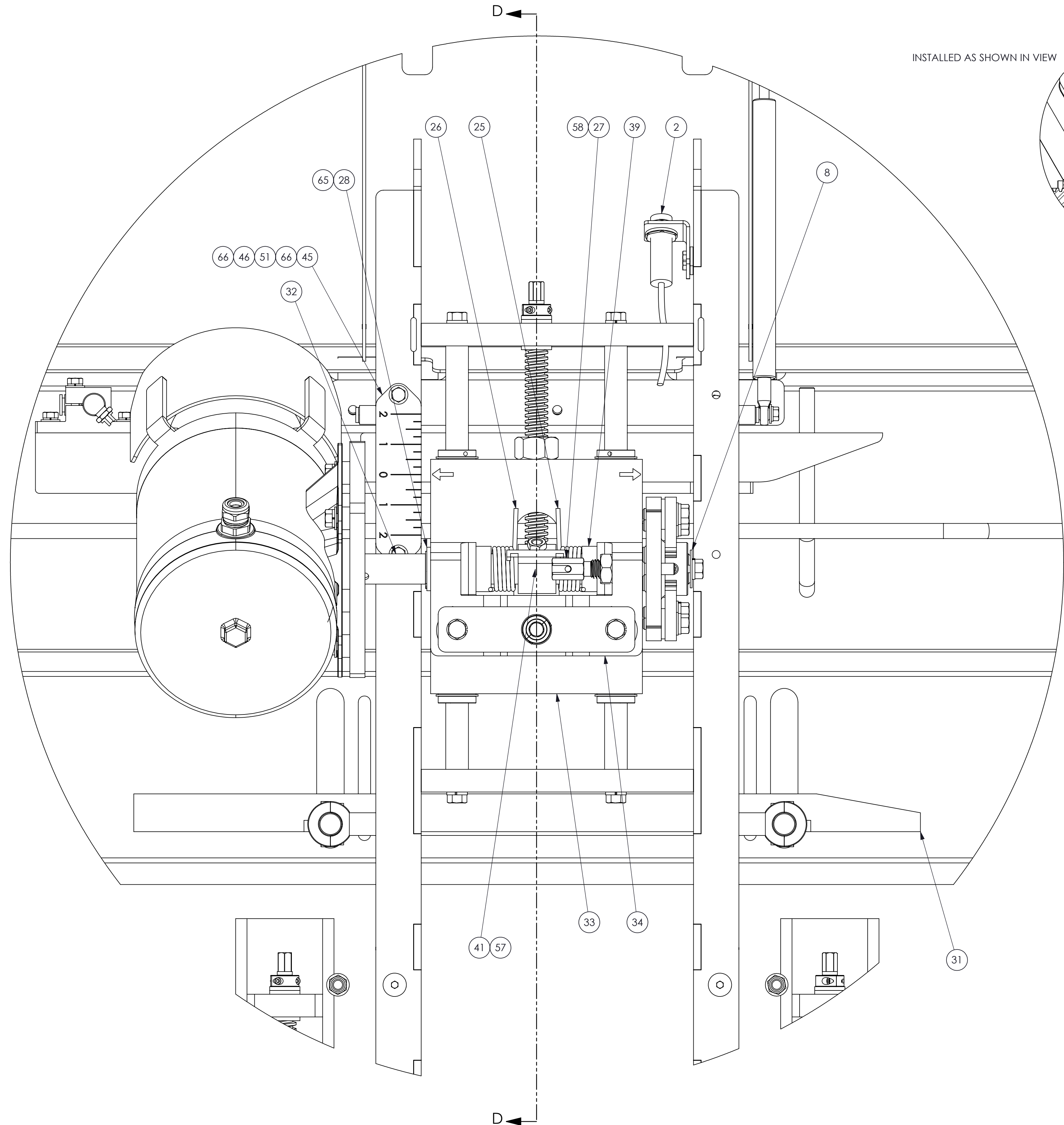
67	1	SSCS037C0031	SSCR,SKT,CUP PT,3/8-16X5/16,SS
66	2	SPACER,16FW250125	SPCR,1/8T X 1/4 ID X 1/2 OD
65	1	SNAPRING-SH100SS	RING,RTNR,EXT,1.00 SFT,SS
64	2	MHCSS060C025	SCR,CAP,HEXHD,M6-1X25,SS
63	1	MFHNS060C	NUT,HEX,M6-1,SS
62	1	MESNS060C	LKNT,NYL,M6-1,SS
61	17	LWSS037	SLW,3/8,SS
60	4	LWSS031	SLW,5/16,SS
59	1	LWSS025	SLW,1/4,SS
58	1	JHNS062C	NUT,JAM,HEX,5/8-11,SS
57	1	JHNS037C	NUT,JAM,HEX,3/8-16,SS
56	6	HTBS037C0150	SCR,TAP,HEXHD,3/8-16X1-1/2,SS
55	6	HCSS037C0125	SCR,CAP,HEXHD,3/8-16X1-1/4,SS
54	3	HCS037C0100	SCR,CAP,HEXHD,3/8-16X1,SS
53	3	HCS037C0075	SCR,CAP,HEXHD,3/8-16X3/4,SS
52	4	HCS031C0100	SCR,CAP,HEXHD,5/16-18X1,SS
51	2	HCS025C0100	SCR,CAP,HEXHD,1/4-20X1,SS
50	11	FWUS037	FLW,3/8,SS
49	4	FWUS031	FLW,5/16,SS
48	6	FWUS025	FLW,1/4,SS
47	2	FTSS050C0150	STUD,ATRD,SS,1/2-13X1.50
46	2	ESNS025C	LKNT,INSR,NYL,1/4-20,SS
45	1	58850	SCALE,POSITION,CTTC
44	1	58062	GD ASSY,SPLASH,LH,OUTFEED,CTTC
43	1	57356	CORD GRIP,IP69K,1/2NPT
42	1	57338	1HP,3450RPM,56,TENV,230/460V,3PH,60HZ
41	1	51693	SCR,SET,SOC HD,SS,EXT PT,3/8-16 X 3/4LG
40	1	45588	ASSY,GUIDE,SHOULDER,CTTC,LH
39	2	44722	SPACER,SPRING,CTTC
38	1	43335	BOLT,MDRL,BLD,RH THRD
37	1	41828	LH,ASSY,BAR,SPRAY,CTTC
36	1	41822	ASSY,GDE,BACK,FR,CTTC,LH
35	2	40762	ASSY,LIFT,CTTC
34	1	39961	ASSY,CARRIAGE,HORIZONTAL,CTTC
33	1	39960	ASSY,CARRIAGE,VERTICAL,CTTC
32	1	39958	WLDMT,LH,SHAFT,MOUNT,MOTOR,CTTC
31	1	39948	LH,ASSEMBLY,RAIL,GUIDE,CTTC
30	1	39824	WLDMT,PAWL,SPRING,TORSION,CTTC
29	1	39821	ASSEMBLY,LH,FRAME,CTTC
28	1	39801	WASHER,THRUST,CTTC
27	1	39789	PLUNGER,SPRING,RETRACTABLE
26	1	39787	SPR,TRSN,RH,MOD,90DEG,1.49OD,0.13WIRE
25	1	39786	SPR,TRSN,LH,MOD,90DEG,1.49OD,0.13WIRE
24	1	39737	WELDMENT,GUARD,BLADE,CTTC
23	2	39334	ARM,HARDSTOP,CTTC
22	2	39324	NUT,HEX,ACME,3/4-5,RH,SS
21	2	39322	MOD,BUSHING,FLANGED,0.50ID
20	1	39305	HUB WLD,HARDSTOP,CTTC
19	1	39288	SCREW,ADJUSTING,HORIZONTAL,CTTC
18	1	39287	PLATE,ADJ,HORIZ,CTTC
17	2	39280	HORIZ,SHAFT,GUIDE,LINEAR,CTTC
16	4	39265	SPCR,0.125X1.000ODX0.5061ID,SS
15	1	39262	SCREW,ADJUSTING,VERTICAL,CTTC
14	2	39122	SHAFT,GUIDE,LINEAR,CTTC
13	2	38303	COLLAR,SFT,2PC,0.44 BORE,SS
12	4	36107	SPCR,0.25X0.75 ODX0.31 ID,SS
11	1	33080	MDRL,BLD,1.00BR BLD X 0.63 MTR SFT,RH THRD
10	1	22093	PLT WLDMT,GD,BACK,CTTC
9	1	21669	SAF ASSY,INFEED,CTTC,LH
8	1	17976	WSHR,FL,3/8,1-1/4"OD,SS
7	1	17384	KEY,0.25X0.25X1.50,SS
6	2	16103	ROD,END,BALL JT,M6BORE,FEM,SS
5	1	16102	SPR,GAS,15.63" EXTND LG,6.3" STRK,110LBS
4	4	13533	SPCR,0.12X1.0DX0.38ID,SS
3	9	13516	SPCR,0.25X1.0 ODX0.38 ID,SS
2	1	11589	PROX SWITCH,24-220VDC/AC,*
1	1	10385	BLD,CIRCULAR,4.5 IN SB

1	-	jwygm	8/8/2018	ADDED POSITION SCALE AND RELATED HARDWARE.
Revision	ECN #	By	Date	Description of Change
Current Revision Information				
DIMENSIONS ARE IN INCHES 1 inch = 25.4 mm		TOLERANCES, UNLESS NOTED X.XX ±0.01 FRACT ±1/16 X.XXX ±0.005 ANGLE ±0.05°		SURFACE FINISH 250 MICRONCH BREAK ALL SHARP EDGES 0.015. CONCENTRICITY 0.01 TIR.
SPECIFICATIONS UNLESS OTHERWISE NOTED				

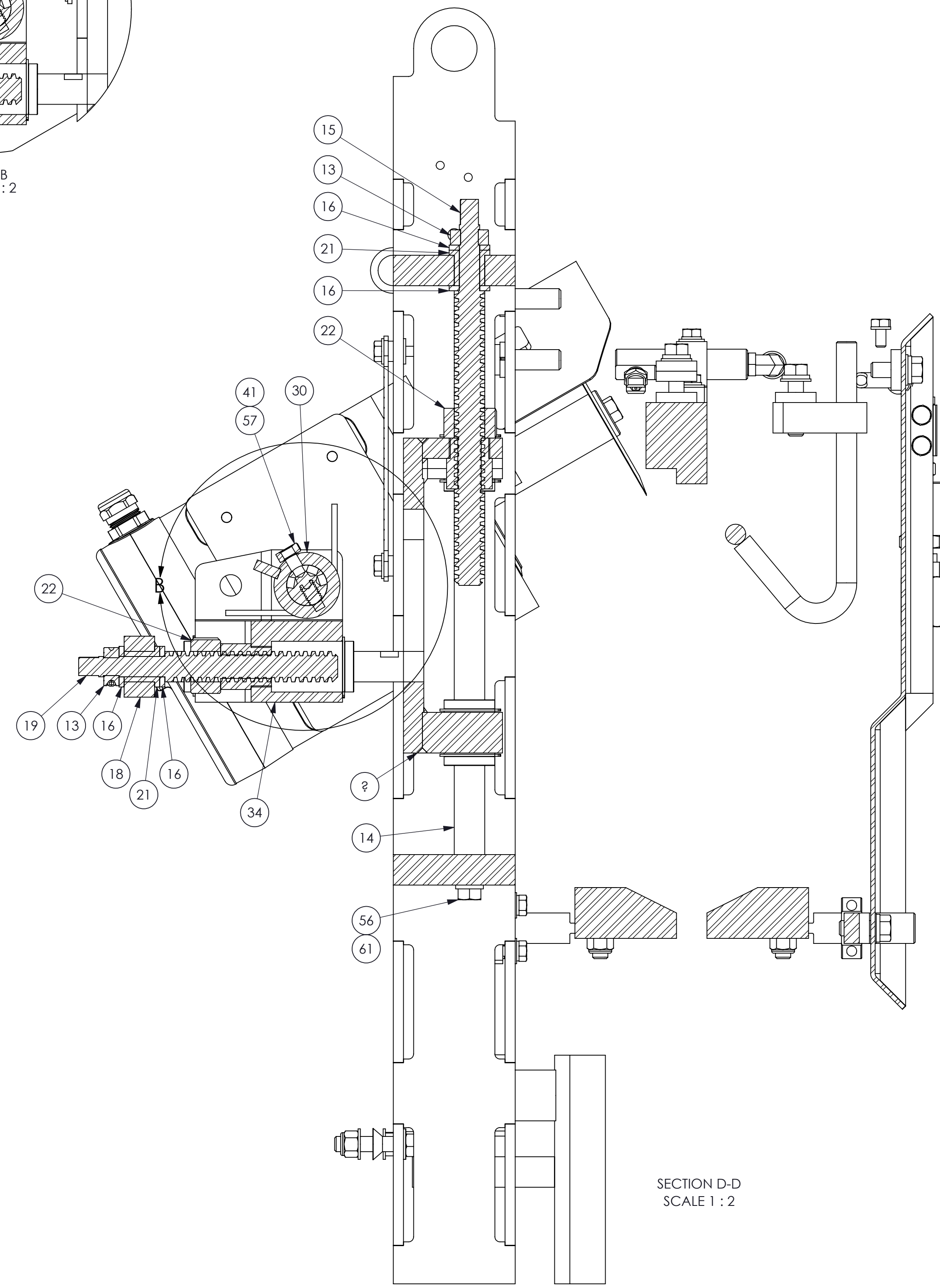
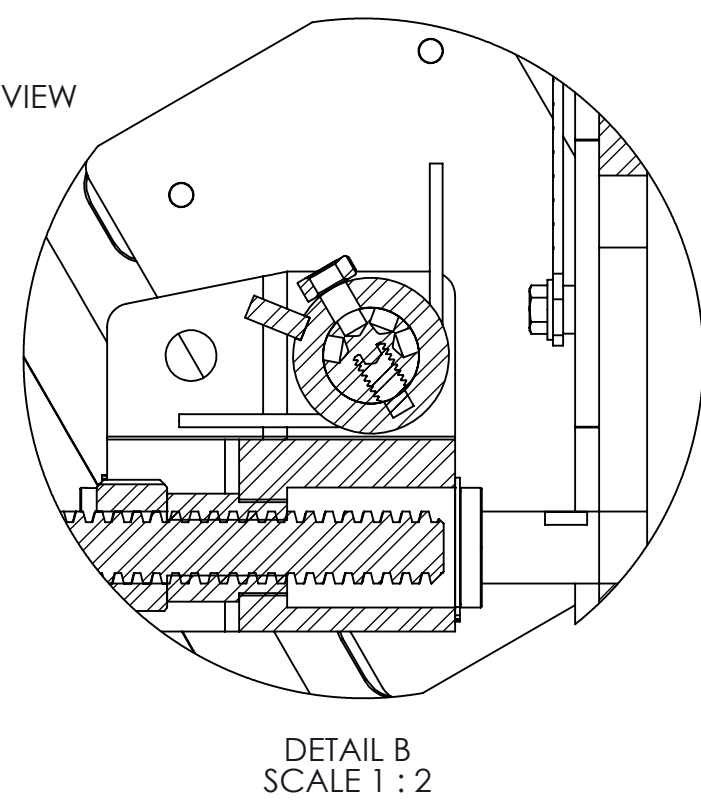
**PRIME**  
Equipment Group, Inc.

This document may contain trade secrets and confidential information that is the sole property of Prime Equipment Group, Inc. (Prime). Prime reserves all patent, copyright, trademark and other intellectual property rights in information contained in this document. Recipients of this document are NOT authorized to use, reproduce, copy, disclose or transmit, in whole or in part, the information contained herein without the prior written consent of Prime. All rights reserved. Copyright 2007 Prime Equipment Group, Inc.

ITEM NO.	QTY.	PART NUMBER	DESCRIPTION
		Material:	SEE BOM/DETAILS ASSEMBLY,CTTC,LH
		Finish:	SEE BOM/DETAILS
		Heat Treat:	SEE BOM/DETAILS
		Drawn By:	jwygm
		Created:	5/28/2015
		Size:	D
		Part Number:	39112
		Class:	
		Rev.:	1
		SHEET 1 OF 3	



INSTALLED AS SHOWN IN VIEW



DETAIL A  
SCALE 1 : 2

SECTION D-D  
SCALE 1 : 2

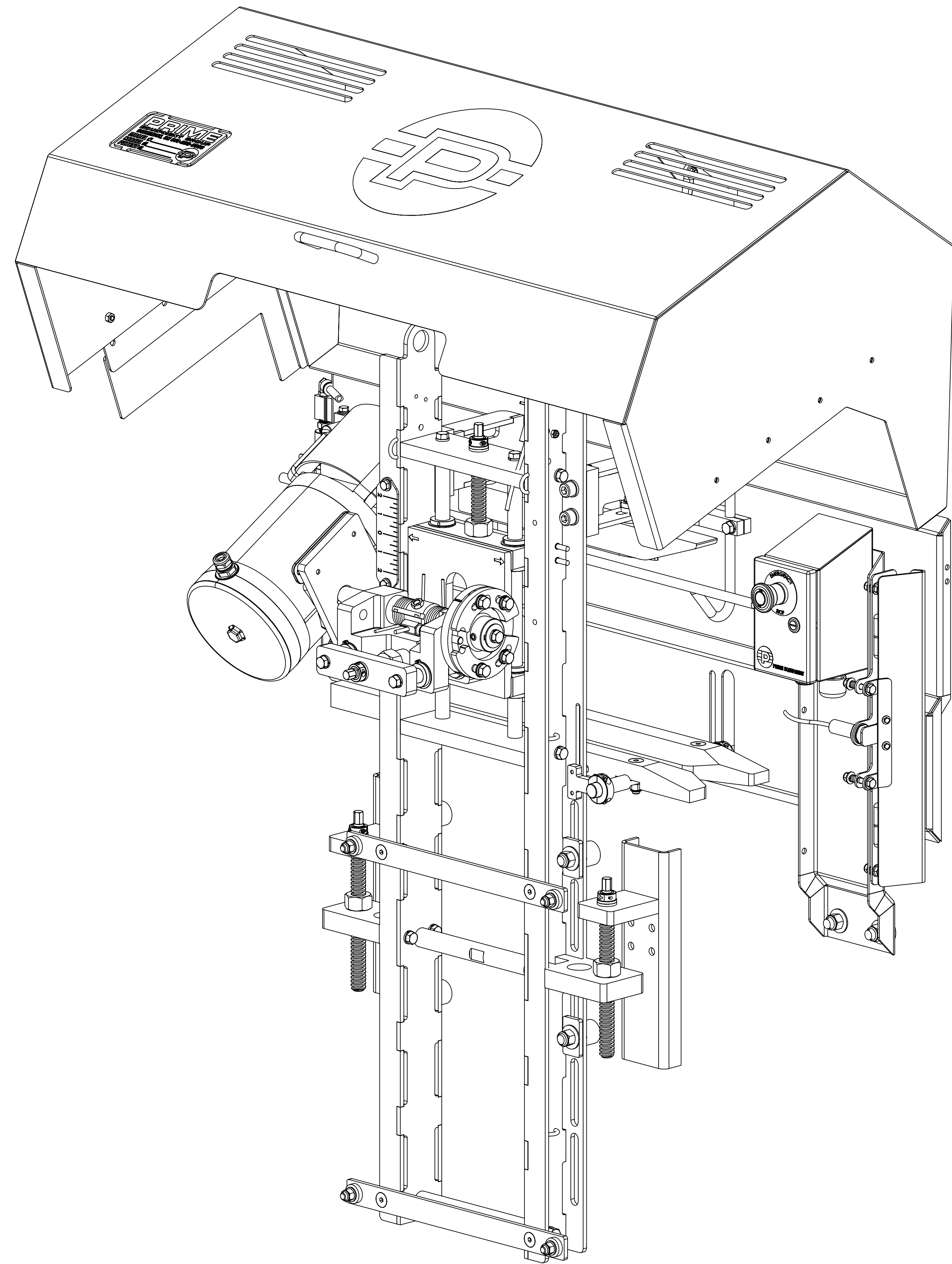
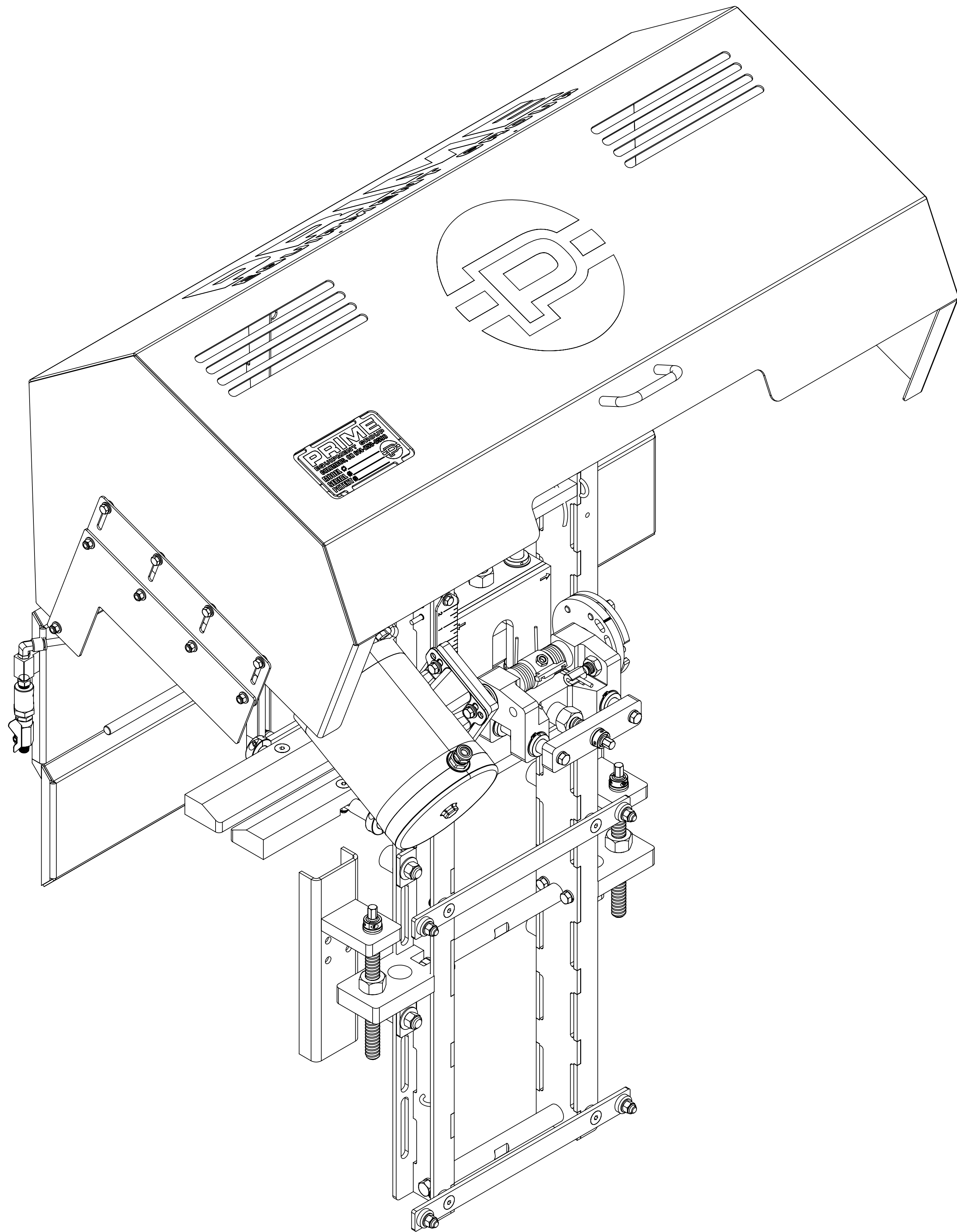
Revision	ECN #	By	Date	Description of Change
1	-	jwygum	8/8/2018	ADDED POSITION SCALE AND RELATED HARDWARE.
Current Revision Information				
DIMENSIONS ARE IN INCHES 1 inch = 25.4 mm		TOLERANCES, UNLESS NOTED X.XX ±0.01 FRACT ±1/16 X.XXX ±0.005 ANGLE ±0.05°		SURFACE FINISH 250 MICRONCH BREAK ALL SHARP EDGES 0.015. CONCENTRICITY 0.01 TIR.
SPECIFICATIONS UNLESS OTHERWISE NOTED				

**PRIME**  
Equipment Group, Inc.

This document may contain trade secrets and confidential information that is the sole property of Prime Equipment Group, Inc. (Prime). Prime reserves all patent, copyright, trademark and other intellectual property rights in information contained in this document. Recipients of this document are NOT authorized to use, reproduce, copy, disclose or transmit, in whole or in part, the information contained herein without the prior written consent of Prime. All rights reserved. Copyright 2007 Prime Equipment Group, Inc.

Este documento pode conter segredos comerciais e informações confidenciais que são propriedade exclusiva da Prime Equipment Group, Inc. (Prime). Prime reserva todos os direitos autorais, marcas registradas e outros direitos de propriedade intelectual em qualquer informação contida neste documento. Os destinatários deste documento NÃO são autorizados a divulgar ou transmitir, no todo ou em parte, a informação contida aqui sem o consentimento por escrito da Prime. Todos os direitos reservados. Copyright 2007 Prime Equipment Group, Inc.

Material:	SEE BOM/DETAILS	ASSEMBLY,CTTC,LH
Finish:	SEE BOM/DETAILS	
Heat Treat:	SEE BOM/DETAILS	
Drawn By:	jwygum	39112
Created:	5/28/2015	SHEET 2 OF 3



Revision	ECN #	By	Date	Description of Change	<p><b>PRIME</b> Equipment Group, Inc.</p> <p><small>This document may contain trade secrets and confidential information that is the sole property of Prime Equipment Group, Inc. (Prime). Prime reserves all patent, copyright, trademark and other intellectual property rights in information contained in this document. Recipients of this document are NOT authorized to use, reproduce, copy, disclose or transmit, in whole or in part, the information contained herein without the prior written consent of Prime. All rights reserved. Copyright 2007 Prime Equipment Group, Inc.</small></p>	<p><small>Este documento pode conter segredos comerciais e informações confidenciais que são propriedade exclusiva da Prime Equipment Group, Inc. Todos os direitos reservados. Copyright 2007 Prime Equipment Group, Inc.</small></p>	Material:	SEE BOM/DETAILS	ASSEMBLY,CTTC,LH
Current Revision Information							Finish:	SEE BOM/DETAILS	Size
DIMENSIONS ARE IN INCHES 1 inch = 25.4 mm		TOLERANCES, UNLESS NOTED X.XX ±0.01 FRACT ±1/16 X.XXX ±0.005 ANGLE ±0.05°		SURFACE FINISH 250 MICRONCH BREAK ALL SHARP EDGES 0.015. CONCENTRICITY 0.01 TIR.		Heat Treat:	SEE BOM/DETAILS	39112	
SPECIFICATIONS UNLESS OTHERWISE NOTED					Drawn By:	jwygum	Created:	5/28/2015	
								Class:	SHEET 3 OF 3