



**STRONGER
TOGETHER**

**PRIME
EQUIPMENT GROUP**
Simple Solutions for Poultry Processing

CHICKEN SHOULDER AND NECK SKINNER

Models: CSNS-2, CSNS-2C



The CSNS-2 Chicken Shoulder and Neck Skinner utilizes two of Prime Equipment's patented bladeless skinning assemblies, making it the perfect solution for in-line neck and shoulder skinning. The machine also features a positive-feed indexing device to keep birds upright and properly spaced to avoid dragging as seen with peeler-roller type machines. The CSNS-2C effectively removes additional crop on 100 percent debone lines.

IMPROVES BONELESS BREAST YIELD
IMPROVES PRE-CHILL BACTERIA COUNTS
BY REMOVING NECK SKIN AND CROP
CSNS-2C MODEL REMOVES ADDITIONAL
CROP ON 100 PERCENT DEBONE LINES
ADJUSTABLE SKINNER HEIGHT/ ANGLE
IMPROVES WOG CHILLER PERFORMANCE

See Prime in action: View
www.PrimeEquipmentGroup.com/videos

Viewing online?
Click here



PRIME ROI:

WITH SHOULDER JOINTS EXPOSED, CONE LINE SHOULDER CUTTERS CAN MAKE MORE EFFICIENT CUTS, RESULTING IN IMPROVED BREAST YIELD BY UP TO 0.25%

CAN BE USED EFFECTIVELY IN FAST-FOOD CUT-UP LINES TO SKIN SHOULDERS FROM BREASTS THAT GO TO DEBONING

2001 Courtright Road
Columbus, OH 43232 USA

Please call
+1 (614) 253-8590

Send us an email
Sales@PrimeEquipmentGroup.com

More info
PrimeEquipmentGroup.com



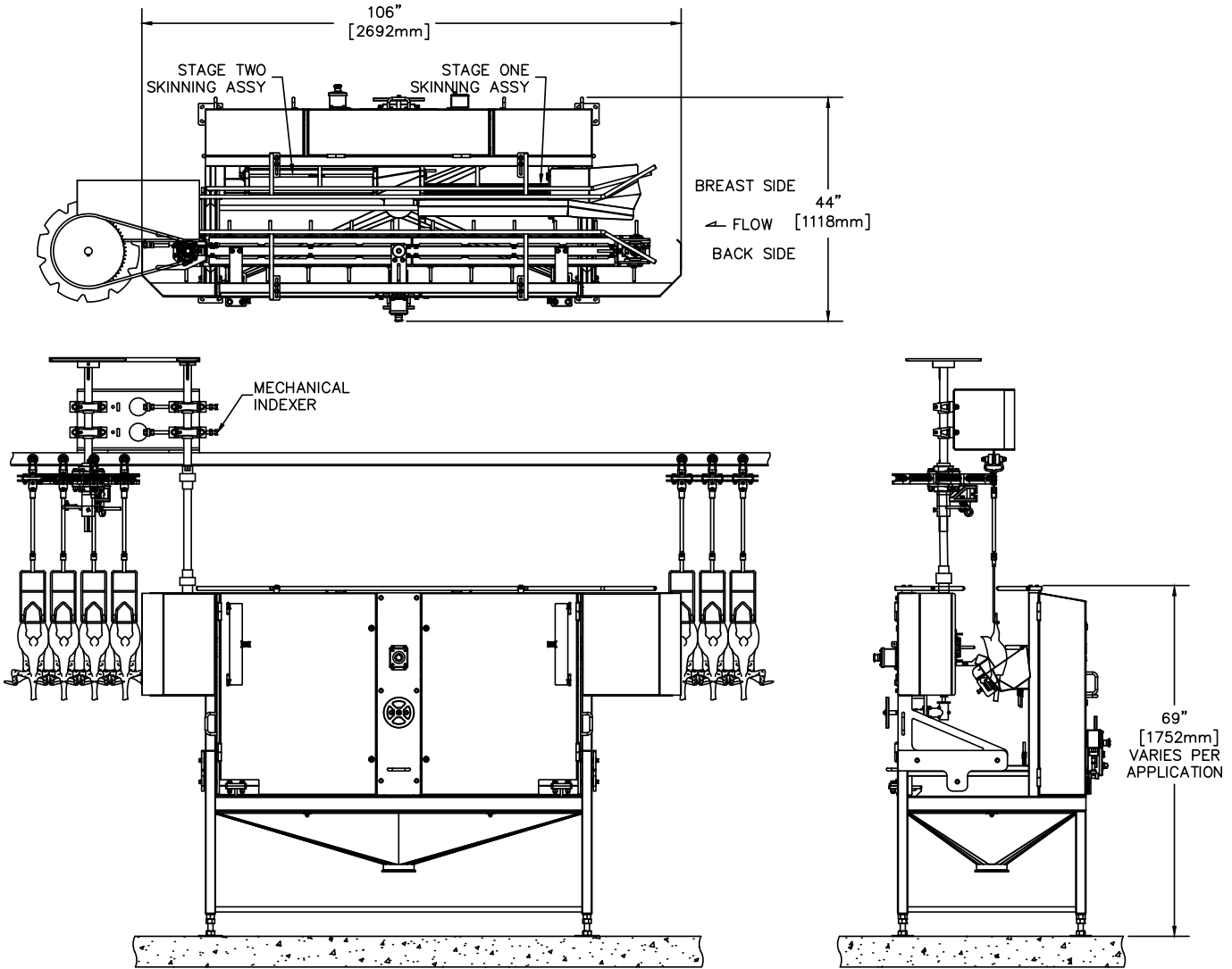
**STRONGER
TOGETHER**

**PRIME
EQUIPMENT GROUP**
Simple Solutions for Poultry Processing

CHICKEN SHOULDER AND NECK SKINNER

Models: CSNS-2, CSNS-2C

L.H. PRIME EQUIPMENT GROUP CHICKEN NECK AND SHOULDER SKINNER (MODEL CSNS-2)



TECHNICAL SPECIFICATIONS

Electrical Requirements:	(2) 1 hp motor; 480V, 3 ph, 60 Hz, 10 amps
Water Requirements:	(1) 1/4" connection; min. 400 PSI, 7 GPM
Net Weight:	Approx. 1,600 lbs. (680 kg)
Production Rate:	Up to 160
NOTE: Specifications are accurate at time of publication	