



**STRONGER  
TOGETHER**

**PRIME  
EQUIPMENT GROUP**  
Simple Solutions for Poultry Processing

## LOW WATER CHICKEN SKINNER - 12- 18- AND 24-INCH OPTIONS

Models: CSK-H2L-12  
CSK-H2L-18, CSK-H2L-24



The CSK H2Low-Series Skinners are the industry's most simple and durable solution for skinning bone-in and boneless chicken products. Available in belt widths of 12, 18 and 24 inches. Prime skinners use a patented, bladeless skinning design that provides superior yield, consistent performance and excellent product quality.

See Prime in action: View  
[www.PrimeEquipmentGroup.com/videos](http://www.PrimeEquipmentGroup.com/videos)

Viewing online?  
Click here

USES PRIME'S PATENTED BLADELESS  
PINCHBLOCK AND PADDLEWHEEL  
SKINS BONELESS BREASTS, WHOLE  
LEGS AND THIGHS  
CUSTOMIZED OPTIONS FOR ANY  
PRODUCTION LINE



### PRIME ROI:

H2LOW DESIGN ELIMINATES THE HIGH-PRESSURE PUMP  
AND REDUCES WATER CONSUMPTION BY 75 PERCENT OVER  
TRADITIONAL SKINNERS

CAN BE ADJUSTED TO REMOVE DIFFERENT LEVELS OF FAT TO  
FINE-TUNE YIELDS

2001 Courtright Road  
Columbus, OH 43232 USA

Please call  
+1 (614) 253-8590

Send us an email  
[Sales@PrimeEquipmentGroup.com](mailto:Sales@PrimeEquipmentGroup.com)

More info  
[PrimeEquipmentGroup.com](http://PrimeEquipmentGroup.com)



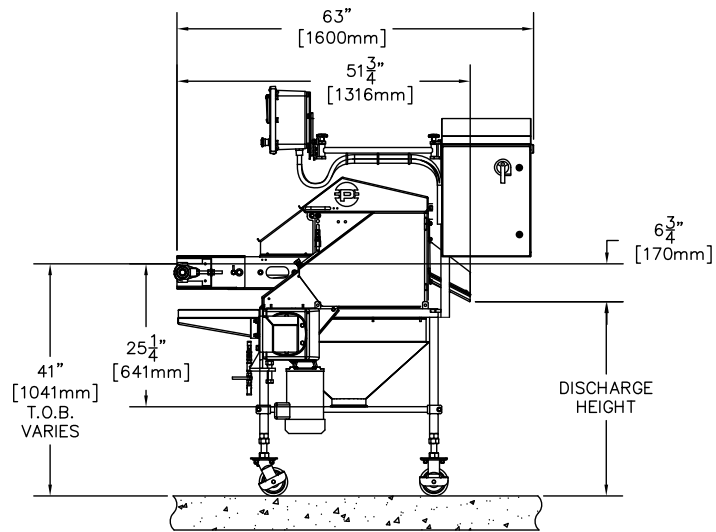
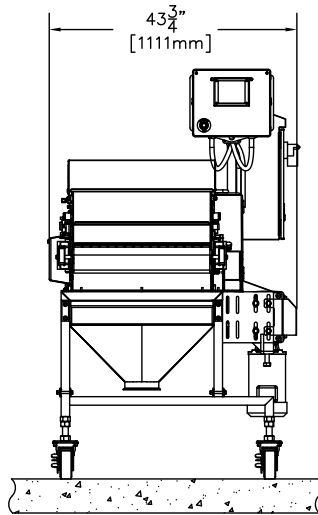
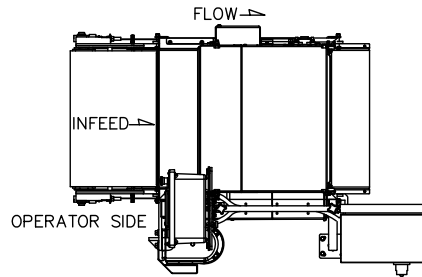
**STRONGER  
TOGETHER**

**PRIME  
EQUIPMENT GROUP**  
Simple Solutions for Poultry Processing

# LOW WATER CHICKEN SKINNER - 12- 18- AND 24-INCH OPTIONS

Models: CSK-H2L-12  
CSK-H2L-18, CSK-H2L-24

R.H. PRIME EQUIPMENT GROUP 24" WIDE LOW WATER CHICKEN/TURKEY SKINNER  
(MODEL CSK-24-H2L, TSK-24-H2L)  
(SHOWN WITH STANDARD EXIT SLIDE, EXIT CONVEYOR ALSO AVAILABLE)



## TECHNICAL SPECIFICATIONS

|  |   |
|--|---|
| Electrical Requirements:               | (1) 2 hp motor; 480V, 3 ph, 60 Hz, 15 amps            |
| Water Requirements:                    | (1) 1/4" connection; 1.0 GPM, 60 psi minimum          |
| Net Weight:                            | 12 inch: 600 lbs (272 kg); 24 inch: 800 lbs. (362 kg) |
| No Water Skinner models also available |   |

## PRODUCTION RATES

|                                | 12-inch   | 18-inch   | 24-inch   |
|--------------------------------|-----------|-----------|-----------|
| Breast Butterflies (boneless): | up to 55  | up to 90  | up to 120 |
| Thighs (bone-in):              | up to 120 | up to 160 | up to 220 |
| Drums (bone-in):               | up to 60  | up to 120 | up to 150 |
| Legs (bone-in):                | up to 60  | up to 90  | up to 120 |

NOTE: Specifications and rates shown were current at time of publication