



PRIME EQUIPMENT GROUP™

CSK-AUTO CHICKEN SKINNER FOR BONE-IN PRODUCT

SKIN LEGS, THIGHS AND DRUMS,
NO LOADING LABOR NEEDED



FULLY AUTOMATED SKINNING, STRAIGHT FROM THE LINE
Take the hassle out of skinning bone-in product with an automated solution from the industry leader in poultry skinning.

The New Prime CSK-Auto Skinner uses two of Prime's patented skinning assemblies, configured so that a loader is not needed to present the product a specific way to the skinner. Designed for bone-in legs and thighs, the CSK-Auto provides superior yield, consistent performance and excellent product quality—all while reducing labor needs.

Features & Benefits

Auto-skinning, from the industry leader

The CSK-Auto uses two of JBT-Prime's patented skinning heads, working together to remove skin from bone-in product regardless of the orientation of the incoming product.

Versatile for multiple products

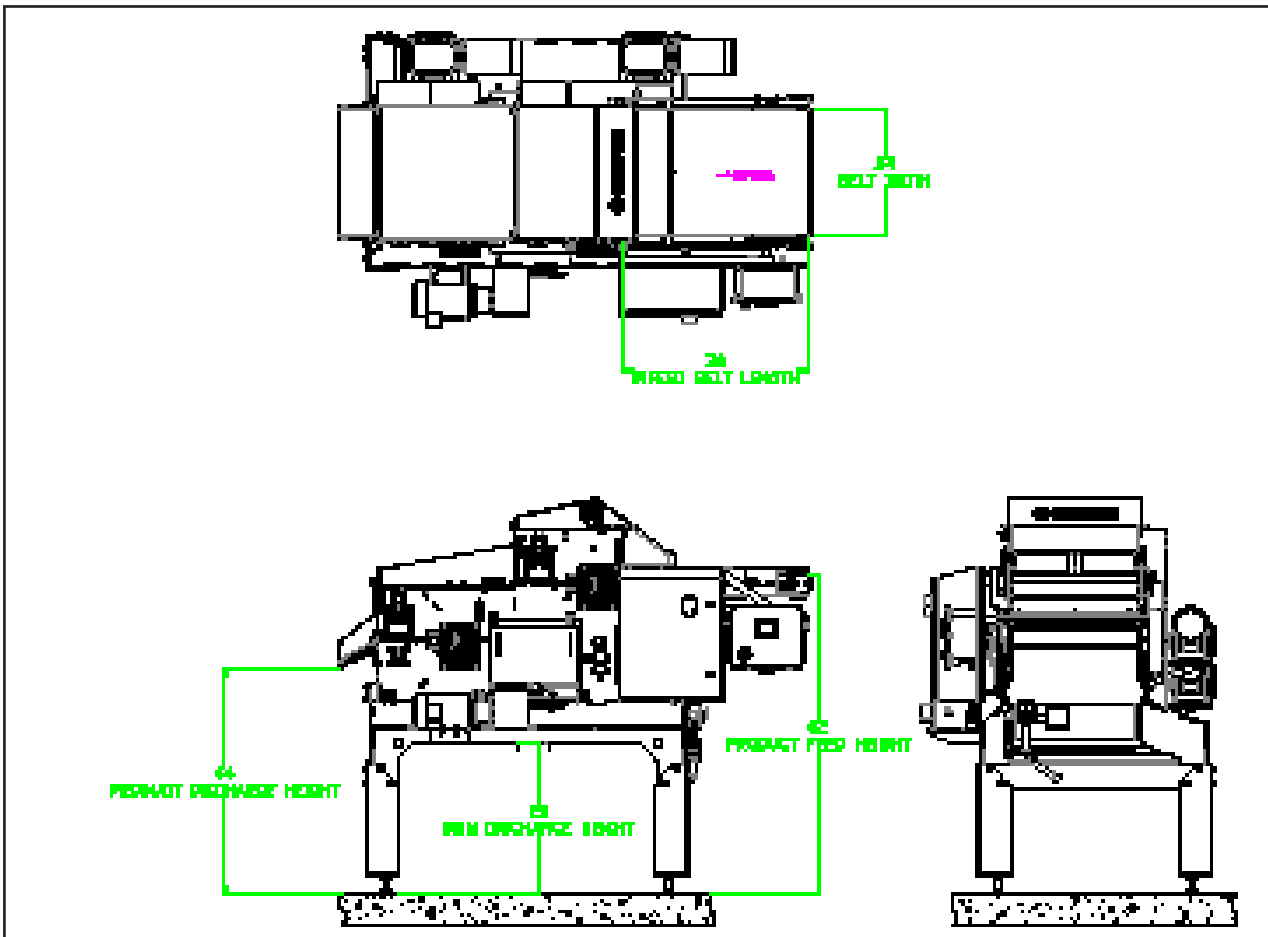
The CSK-Auto works equally well on bone-in legs, drums or thighs, effectively removing skin at a high throughput rate, with excellent end-product quality.

Maximize labor efficiencies

The CSK-Auto does not require a worker ahead of the machine to orient product skin-side down. That allows at least one worker per line to be re-deployed to other areas of the plant.

Easy ownership and simple M&R

The CSK-Auto is easily opened for service and sanitation, allowing for fast M&R. Additionally, the machine can be adjusted to remove different levels of fat to fine-tune yields.



TECHNICAL SPECIFICATIONS	
ELECTRICAL	(3) 2 hp motos, 480V, 3ph, 60 Hz, 15 amps
WATER	(1) 1/2" connection; 3gpm, 60 psi minimum
WEIGHT	Approx 2,000pounds (908 KG)
PRODUCTION RATE	Per minute: 200 thighs, or 150 drums or 110 legs

JBT PROTEIN PROCESSING

SECONDARY

BRINE PREPARATION | HOMOGENIZATION | INJECTION
 INJECTION & RETURN MILLING | MACERATION | MASSAGING | TENDERIZATION
 TVI MEAT SLICING | X-RAY TECHNOLOGY | AUTOMATED TRAY LOADING

FURTHER

WEIGHING | PORTIONING/TRIMMING | COATING | FRYING & FILTRATION | PROOFING
 COOKING | COOLING | CHILLING | FREEZING | REFRIGERATION | CLIPPING & PACKAGING
 SOLUTIONS | X-RAY TECHNOLOGY | HIGH-PRESSURE PROCESSING (HPP)



North America

JBT
 1622 First Street
 Sandusky, OH 44870
 USA
 Phone +1 419 626 0304
 Fax +1 419 626 9560
 process-solutions@jbt.com

Europe

JBT
 Rusthallsgatan 21, Box 913
 SE-251 09 Helsingborg
 SWEDEN
 Phone +46 42 490 4000
 Fax +46 42 490 4040
 info-europe@jbt.com

Asia

John Bean Technologies (Thailand) Ltd.
 159/26 Serm-Mit Tower, Room No. 1602-3
 Sukhumvit 21 Road
 Klongtoey Nua Sub-district, Wattana District
 Bangkok 10110 Thailand
 Phone: + 66 2 257 4000
 Fax: + 66 2 261 4099
 infoasia-jbtfoodtech@jbt.com

Latin America

JBT
 Máq. Equip. Ind. Ltda.
 Av. Eng. Camilo Dinucci 4605
 14808-900 Araraquara
 São Paulo
 Brazil
 Phone +55 16 3301 2000
 latinamericainfo@jbt.com

Australia

John Bean Technologies Australia Limited
 Unit 1, 40 Rivergate Place
 Murarrie QLD 4172
 Australia
 Phone: 07 3896 6100
 Fax: 07 3393 9299
 info.au@jbt.com
 info.nz@jbt.com



We're with you, right down the line.™

jbt.com