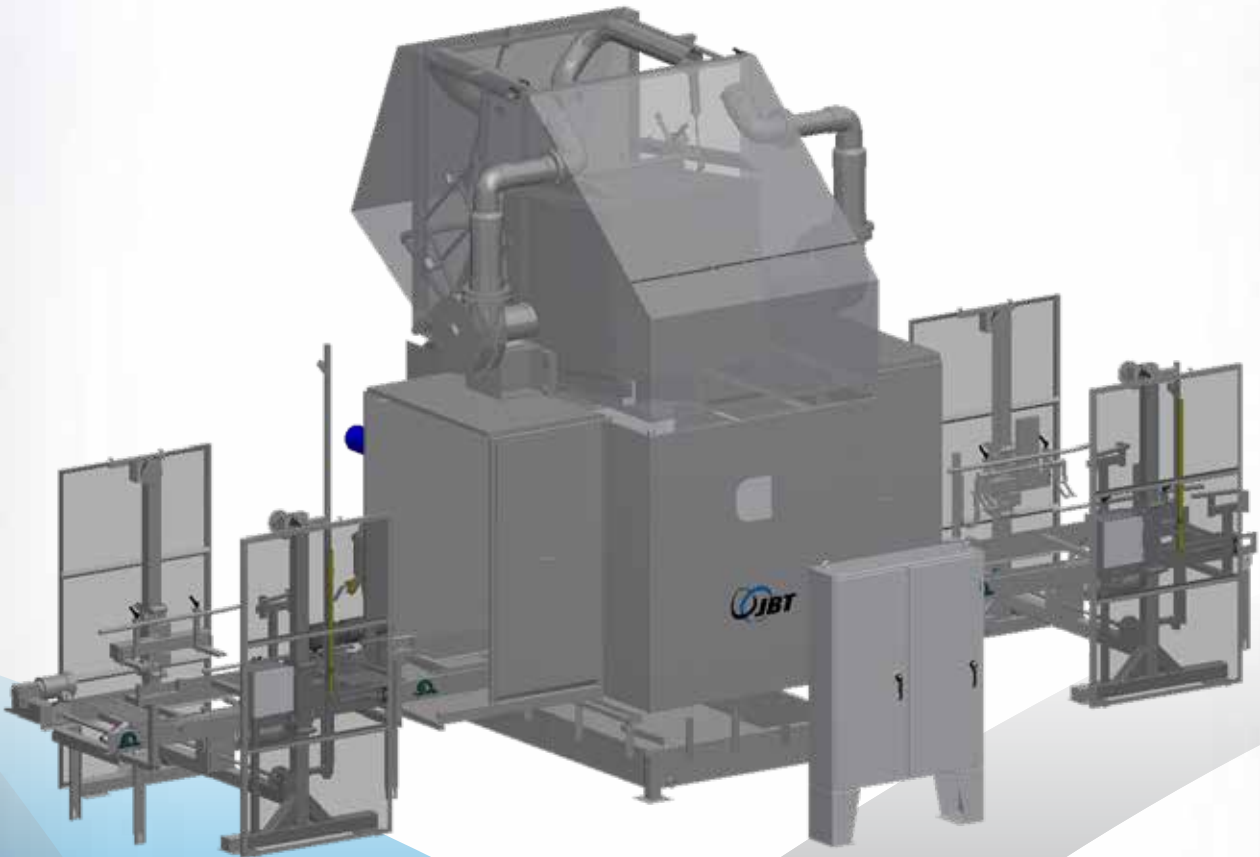


## Bin Scrubber System



**Performance  
in Post-Harvest™** ...SINCE 1929

# Bin Scrubber System (Patented)

For maximum cleaning efficiency, food safety and cost savings, the JBT Bin Scrubber System surpasses the competition.



With increased scrutiny on food safety, the JBT Bin Scrubber System sets a new industry standard for bin cleaning and sanitation.

Unique in its ability to physically scrub, this energy efficient system reduces operating costs while leaving bins cleaner than those washed manually or by other competing units that only use high pressure water.

The Bin Scrubber System achieves exceptional cleaning of both plastic and wood bin surfaces, including hard-to-reach areas such as corners and slats.

Designed for installation into existing bin lines and off-line configuration, the easy-to-use operator interface allows quick adjustment of cleaning cycle times depending on line speeds and dirt loads.

The water used in the cleaning process is filtered and recycled into a 500 gallon containment system, reducing overall water consumption and providing an opportunity for waste minimization and cost savings. With an optional JBT Chemtrol pH/ORP controller, food safety record keeping is simple and accurate.

## Ask about our Bin Scrubber System P<sup>R</sup>oCARE™ Program



Your business earnings and profits are directly related to how much you can produce in a given time, which in turn depends on performance, reliability and availability of your equipment. This requires that each machine is regularly serviced and optimized to deliver the best results. JBT P<sup>R</sup>oCARE™ offers peace of mind that allows you to produce as planned with optimum performance from your equipment throughout its working life.

For further information on the Bin Scrubber System, contact the JBT Equipment, Parts and Services Team 1-800-362-0515



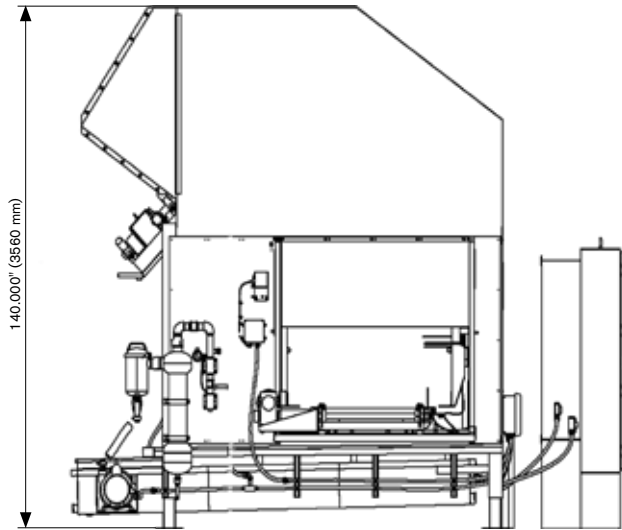
Features	Benefit
Brush Scrubbing Head	Scrubbing action provides exceptional cleaning of the internal surfaces of the bin.
Bi-directional scrubbing motion	Results in improved cleaning of corners and hard to reach surfaces of the bin.
Adjustable cleaning duration cycles	Allows user to synchronize Bin Scrubber with other bin line equipment.
Multi spray nozzle manifold system	Ensures all bin surfaces are washed.
Pre-scrub spray manifold	Pre-wets the bin to loosen dirt while waiting for the scrubbing cycle to begin.
High flow spray pump	Provides a high impact spray pattern through the spray manifold nozzles.
Energy efficient operation	Low horsepower motors for bin scrubbing and cleaning reduce operating costs over competitive units.
Stainless steel construction	Provides a durable, long lasting, and food safe system.
Electric gear-motor driven cradle	Eliminates maintenance of hydraulic systems and possible hydraulic fluid contamination of produce.
500 gallon stainless steel water tank with built-in filter	Provides adequate water storage for daily use and small enough to clean quickly and refill if necessary to minimize water discharge.
Water containment system	Pans and curtaining provide excellent water containment performance to lower water usage.
PLC controlled system and Operator panel	Allows operator to easily make adjustments to bin scrubbing operations.
Automated bin staging features	Saves labor by providing automatic bin sequencing with photo-eyes and limit switches.
In-line and off-line capable	Designed to be installed into existing bin lines or as a stand alone off-line system.
Freshgard® Chemtrol pH and ORP controller integrated - Optional	Provides automatic control and treatment of spray water and data-logging for food safety documentation.
Sanitizing spray ring with controls - Optional	Automatically treats bins with sanitizer when exiting the scrubber system.

# Bin Scrubber System (Patented) - Approximate Specifications

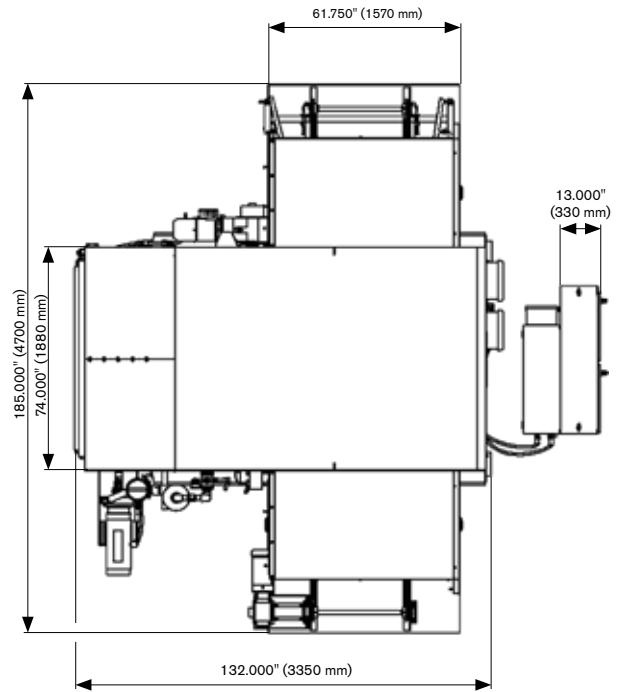
SPECIFICATIONS S-SERIES	
	Cleans and scrubs up to 200 bins per hour
<b>ELECTRICAL REQUIREMENTS</b>	480 VAC, 3-Phase, 50 AMPS
<b>WATER SUPPLY</b>	7-12 Gallons/Min - 26-45 Liter/Min
<b>POWER CONSUMPTION</b>	12 Kilowatts

SPECIFICATIONS T-SERIES	
	Cleans and scrubs up to 140 bins per hour
<b>ELECTRICAL REQUIREMENTS</b>	480 VAC, 3-Phase, 90 AMPS
<b>AMPS WATER SUPPLY</b>	7-12 Gallons/Min - 26-45 Liter/Min
<b>POWER CONSUMPTION</b>	14.9 Kilowatts

Available in two version the S-Series & T- Series.  
The T-Series cleans up to 48" (1.22 meters) tall bins.



Picture shown S-Series dimensions



## COUNT ON JBT TO HELP PROTECT YOUR INVESTMENT

JBT's greatest value in PRO-CARE® services comes from preventing unexpected costs through smart, purposeful, and timely maintenance based on unmatched knowledge and expertise. PRO-CARE service packages are offered as a maintenance agreement in various service levels, depending on your production and cost management requirements.



## JBT LIQUID FOODS

FRESH PRODUCE TECHNOLOGIES | FRESH-CUT, ROBOTICS, STEAMING | FRUIT AND VEGETABLE PROCESSING | SECONDARY PROCESSING | ASEPTIC SYSTEMS | FILLING AND CLOSING | IN-CONTAINER STERILIZING | TRAY SEALING | HIGH-PRESSURE PROCESSING | POWDER PROCESSING | TUNA PROCESSING

## OUR BRANDS



### JBT Corporation

1660 Iowa Avenue  
Suite 100  
Riverside, CA 92507  
USA  
Phone: +1 951 222 2300  
Fax: +1 951 788 1761  
fptinfo@jbt.com

### JBT Corporation

400 Fairway Avenue  
Lakeland, FL 33801  
USA  
Phone: +1 863 683 5411  
Fax: +1 863 680 3672

### JBT Corporation

9829 W. Legacy Avenue  
Visalia, CA 93291  
USA  
Phone: +1 559 651 8300  
Fax: +1 559 651 2029  
citrus.info@jbt.com

### JBT Corporation

3206 Industrial 33rd St.  
Fort Pierce, FL 34946  
USA  
Phone: +1 772 461 5471  
Fax: +1 772 464 078

### JBT Corporation

2007 Ahtanum Road  
Yakima, WA 98903  
USA  
Phone: +1 509 952 8802  
Fax: +1 509 457 4837

### John Bean Technologies (Shanghai) Co., Ltd.

Room 3002-3003  
Haitong Security Building  
No. 689 Guangdong Road  
Shanghai 200001 China  
Phone: +86 21 6341 1616  
Fax: +86 21 6341 0708

### John Bean Technologies (Pty) Ltd.

Koper Street  
Brackenfell 7560  
Cape Town  
South Africa  
Phone: +27 21 982 1130  
Fax: +27 21 982 1136

### John Bean Technologies (Thailand) Ltd.

No. 159/26 Serm-Mit Tower  
Room No. 1602-3 Sukhumvit 21 Rd  
Klongtoey Nua Sub-District,  
Wattana District  
Bangkok 10110 Thailand  
Phone: +66 2 257 4000  
Fax: +66 2 261 4099

### John Bean Technologies De México, S. De R.L. De C.V.

Camino Real a San Andrés  
Cholula No. 2612  
Col. San Bernardino Tlaxcalancingo  
San Andrés Cholula, Puebla  
CP 72820 México  
Phone: +52 222 329 4902  
Fax: +52 222 329 4903 ext 109



We're with you, right down the line.™

jbtproducesolutions.com | jbt.com

