



**STRONGER
TOGETHER**



ROTARY FOOT UNLOADER

Model: BUR-T



The Prime Equipment Group Rotary Bird Unloader is a simple solution for removing birds from the shackle at any point on the line. The chainless design eliminates broken or damaged hocks caused by chain binding, and its simple design is easy to clean and maintain.

See Prime in action: View
www.PrimeEquipmentGroup.com/videos

Viewing online?
Click here

REMOVES BIRDS FROM OVERHEAD LINE
AT ANY POINT ON THE LINE

SIMPLE SOLUTION REQUIRES NO CHAIN
FOR OPERATION

ELIMINATES BROKEN OR DAMAGED
HOCKS FROM CHAIN INTERFERENCE



PRIME ROI:

IMPROVES PRODUCT QUALITY BY ELIMINATING DAMAGED
HOCKS OR BIRDS DUE TO CHAIN INTERFERENCE

SIMPLE DESIGN IS EASY TO MAINTAIN AND SANITIZE FOR
TROUBLE-FREE OPERATION AND LONG LIFE

2001 Courtright Road
Columbus, OH 43232 USA

Please call
+1 (614) 253-8590

Send us an email
Sales@PrimeEquipmentGroup.com

More info
PrimeEquipmentGroup.com

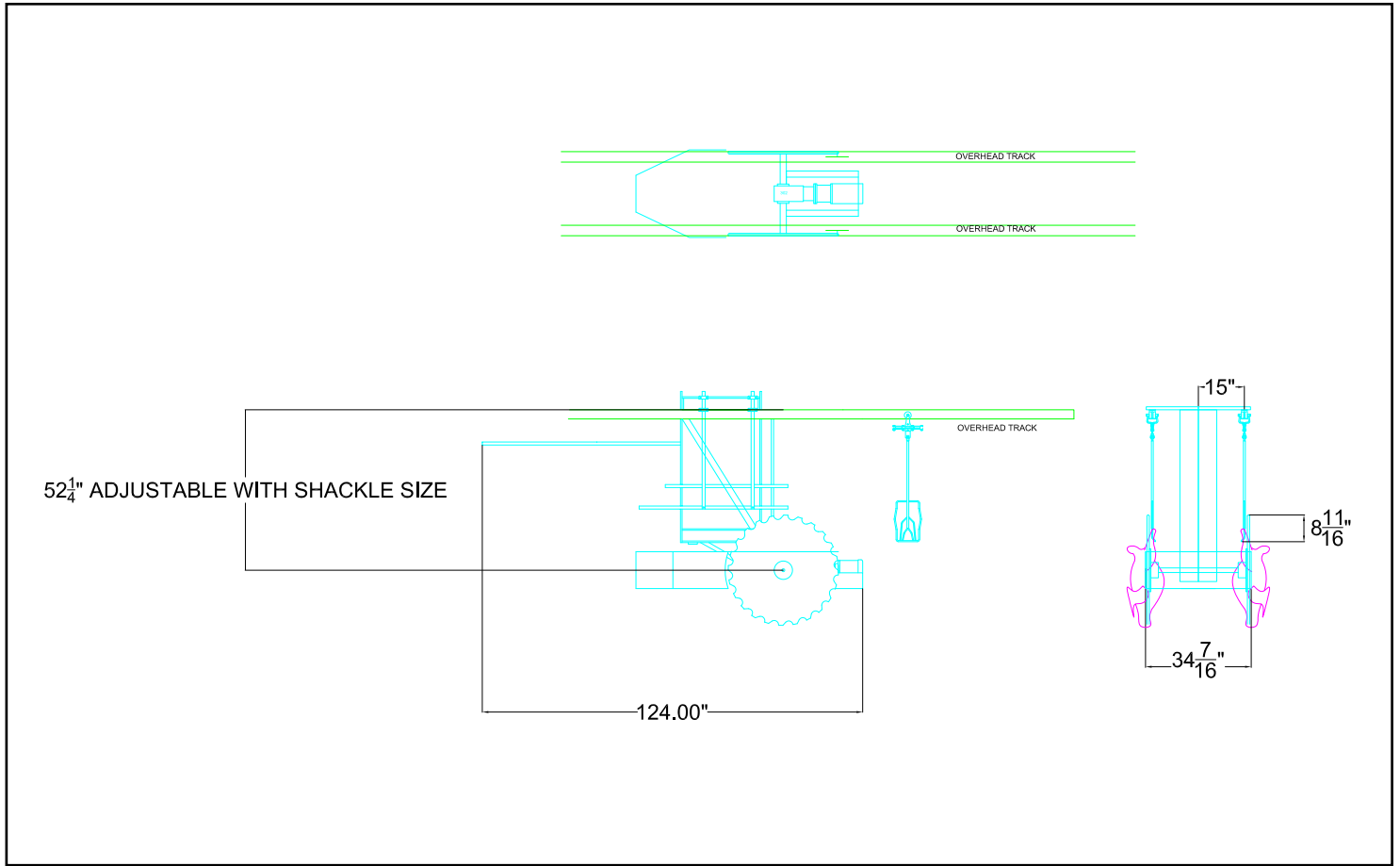


**STRONGER
TOGETHER**

**PRIME
EQUIPMENT GROUP**
Simple Solutions for Poultry Processing

ROTARY FOOT UNLOADER

Model: BUR-T



TECHNICAL SPECIFICATIONS

Electrical Requirements:	(1) 3/4-hp motor
Water Requirements:	Variable depending on BPM
Net Weight:	500 pounds
Production Rate:	Variable with line speed
Note: Specifications and rates are accurate at time of publication	