

# Tempest Deicer XR Boom Conversion Kit



Adding an XR boom to your Tempest Deicer will offer you the most efficient and cost effective solution for deicing the A-380 and IL-76 aircraft. In addition it can be used for aircraft washing, Deicing B777 with engines running and for use on the AN-124 Fuselage and Wings.

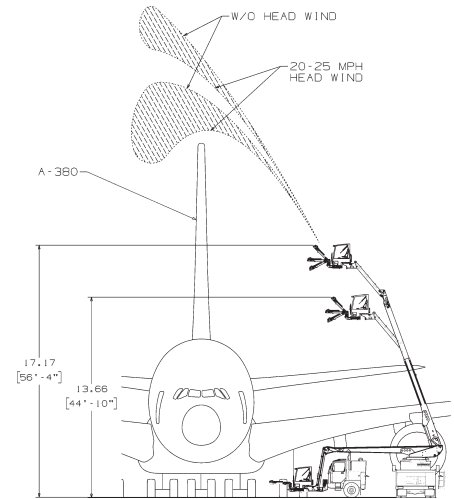
The modification is relatively easy not requiring an special chassis modifications or outriggers. The XR Boom Kit is designed to fit and work perfectly on the standard Tempest chassis and still allows you to operate in the non-extended mode with the same characteristics you have always enjoyed. When extended to the height of 17.2 m (56 ft) the Tempest can safely and effectively spray the tail section of the A-380 and IL-76 with a spray reach of 27 m (90 ft).

Designed with a 5:1 factor of safety that is validated with FEA and strain gauge testing, the Tempest XR boom can be driven in creep mode with the boom fully extended adding flexibility and providing faster deicer operations. Operations and controls will remain identical to what you have now reducing extra training time.

The conversion kit works with both open and enclosed basket, Air First forced air, proportional mix and one person drive options. How it works: the new boom is installed onto the existing rotator, a new counterweight

is welded to the assembly on the existing rotator, and then appropriate modifications will be made for the hydraulic, electrical, and fluid systems. This Kit is compatible on all Tempest Deicers 2003 and newer.

**"It gives you the ability to add further capabilities to your fleet without buying new equipment"**



©2017 John Bean Technologies Corporation. Subject to change without notice. 0817

[www.jbtaerotech.com](http://www.jbtaerotech.com)

USA

7300 Presidents Drive  
Orlando, FL 32809  
USA  
Phone: +1 407 851 3377  
Fax: +1 407 850 2839  
jbtaerotech.gse@btc.com

Spain

A-2, KM 34 400  
28805 Alcalá de Henares  
Madrid, Spain  
Phone: +34 91 8775 880  
Fax: +34 91 8775 881

UK

Arnold Hawker House  
Central Way  
Feltham  
Middlesex  
TW14 0XQ  
Phone: +44 20 8587 0666  
Fax: +44 20 8587 0660

UK - AMSS

Eagle House  
Village Farm Ind. Est.  
Bridgend  
Mid Glamorgan  
CF33 6NU  
Phone: +44 01656 743700

China

No 298 Shansong Road  
Yushan Town  
Kunshan City  
Jiangsu Province, China  
215300  
Phone: +86 512 36630500

Singapore

6 Loyang Lane #03-00  
Young Heng Industrial Building  
Singapore 508920  
Phone: +65 6542 9255  
Fax: +65 6542 7493

