

Upgrade Kits

Capper height adjustment modification UC

JBT builds weight- fillers for the Dairy industry. To keep the machines up to date we introduced a continuous improvement plan. This plan results in maintenance and accuracy improvement on the machine and software updates.

This leaflet describes an improvement for the capper height adjustment of the Ultra Clean filler.

Where is the opportunity?

Adjusting the height of the jacks is in the original design difficult. The maintenance you need to do, for changing the bearings, involves hoisting and scaffolding for 2-3 days with 2 or 3 engineers.

What will be modified?

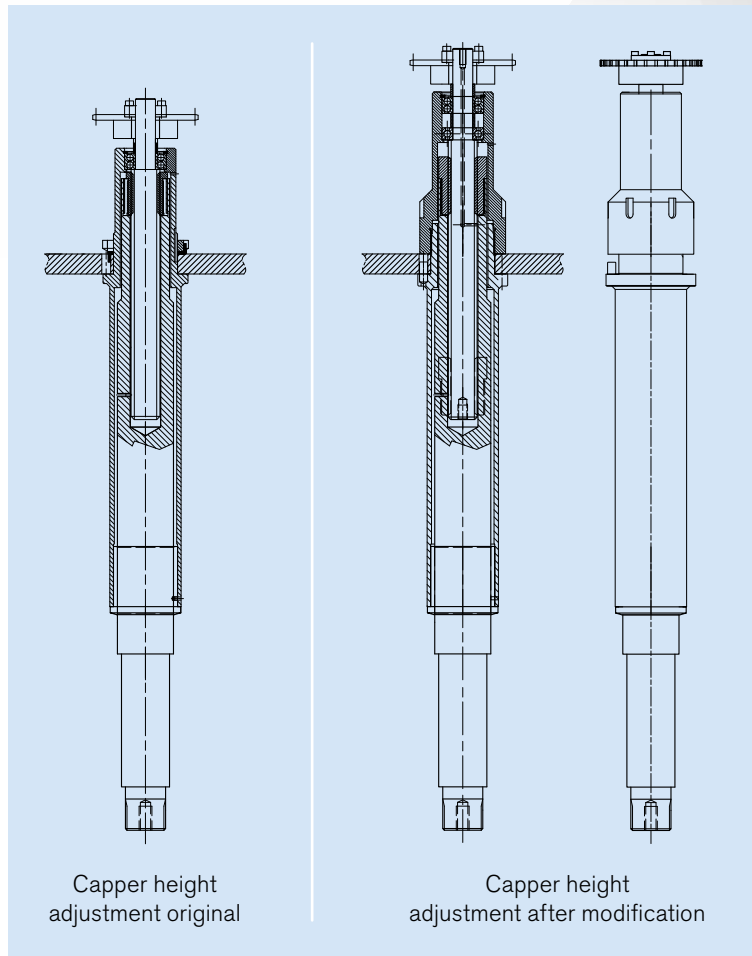
- The brass nuts are higher and of a different brass material
- Bearings are placed on a different distance
- Space is available for excess grease
- Instead 'taperlock' a spline construction is used to connect the chain sprocket with the shaft.

What's the impact?

Downtime for this modification will be around 3 days (2 engineers). JBT advises to implement this retrofit when a revision on the jacks is planned.

What are the benefits?

- More reliable operation of the height adjustment
- Wear and tear parts are easy accessible and exchanged
- No more risk of 'slipping' connections
- Easier maintenance
- Less downtime
- No need to call in a specialist company for lifting the capper for maintenance
- No hoisting equipment and scaffolding needed anymore.



JBT Food & Dairy Systems

Deccaweg 32
1042 AD Amsterdam
The Netherlands
Phone: +31.20.634.8911
Fax: +31.20.636.9754
info.ams@jbtc.com



Ordering Information

As part of JBT's commitment to your success, our wide range of upgrade kits are designed to give you maximum return on your original investment through increased performance and service life.

Please contact info.ams@jbtc.com for more information or to request a quote.

All JBT kits are subject to software/system compatibility and may change without previous notice.