

Increase uptime

Analyze live data and respond more quickly and proactively

Securely access your operation from remote

Ensure data is protected regardless of location

Reduce training costs

Learn and operate simply and consistently across all products and lines



PRoLINK™ Control System with Voltage Segregation Technology

We are your single source for profitable processing solutions

JBT can provide you with portioners, freezers and everything in between – including process control, food product development assistance, operator training and a full range of customer support alternatives.

Our Food Technology Centers have served leading processors in the development of many of the world's most popular food brands. Learn how to increase your processing potential by contacting your JBT Account Representative or by visiting our website.

We're with you, right down the line.™

www.jbtfoodtech.com



www.jbtfoodtech.com

North America

JBT FoodTech
1622 First Street
Sandusky, OH 44870
USA
Phone +1 419 626 0304
Fax +1 419 626 9560
process-solutions@jbt.com

Asia

John Bean Technologies (Thailand) Ltd.
159/26 Serm-Mit Tower, Room no. 1602-3
Sukhumvit 21 Road, Klongtoey Nua Sub-district
Wattana District, Bangkok 10110 Thailand
Phone: + 66 2257 4000
Fax: + 66 2261 4099
infoasia-jbtfoodtech@jbt.com

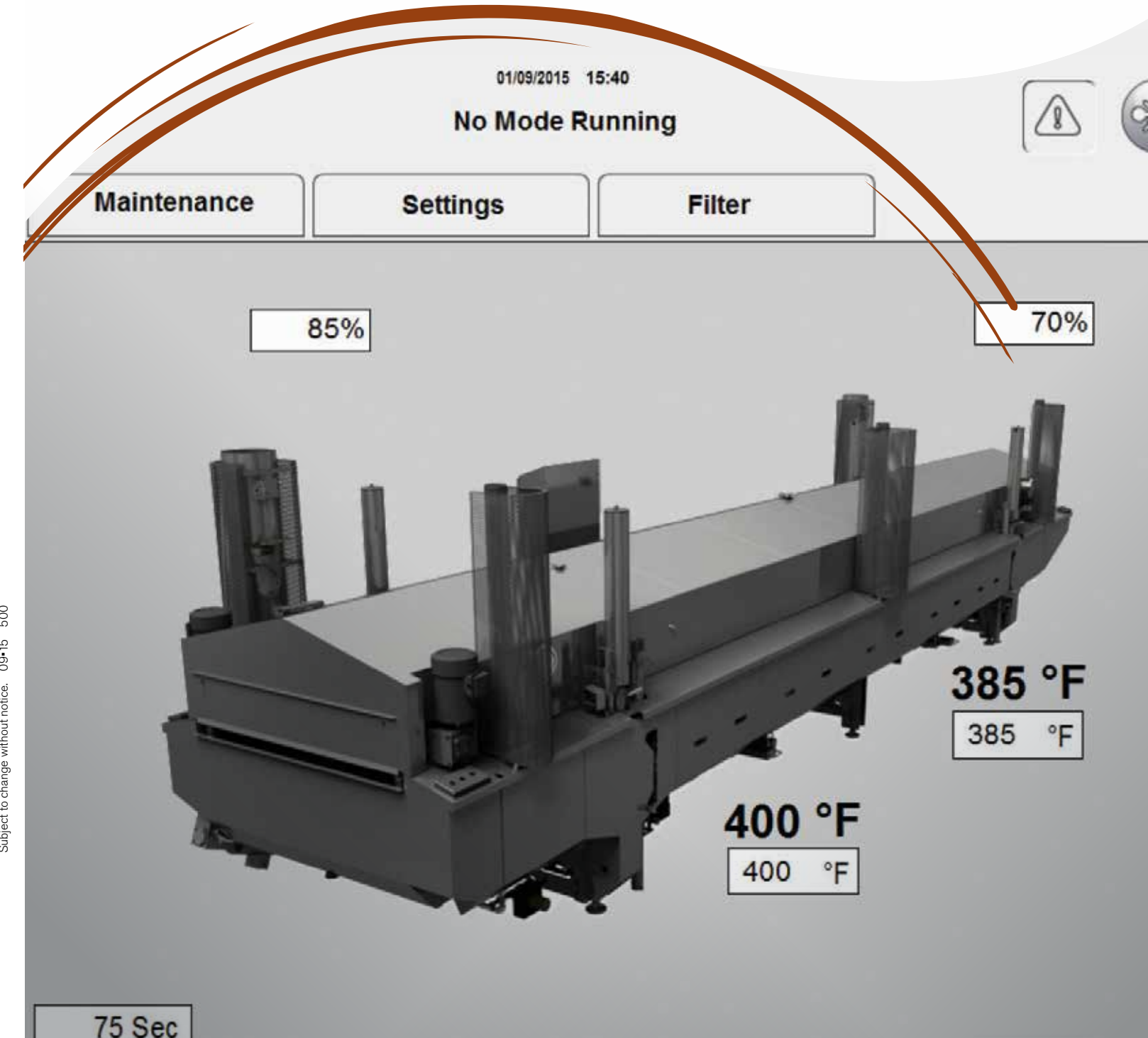
Europe

JBT FoodTech
Rusthallsгатan 21, Box 913
SE-251 09 Helsingborg
SWEDEN
Phone +46 42 490 4000
Fax +46 42 490 4040
info@jbtfoodtech.com

Latin America

John Bean Technologies
Mfg. Equip. Ind. Ltda.
Av Eng Luis Carlos Berrini, 1461
9th Floor – Brooklin
04571-903 Sao Paulo BRAZIL
Phone + 55 11 3055 1010
Fax +55 11 3055 1030
latinamerica.info@jbt.com

Subject to change without notice. 09-15 500



Deliver maximum throughput, whether in the plant or on the go

JBT has developed PRoLINK™ Controls, the most advanced, universal, web-enabled, recipe-driven touchscreen interface on the market. With PRoLINK Controls, processors are able to control their equipment remotely and access JBT support directly from smart devices. Additionally, PRoLINK Controls boast a sortable database as well as reports and alerts in multiple languages and units of measurement.



Intuitive interface

- Minimize operator error with simplified navigation, featuring both familiar terminology and interfaces
- Conveniently push and pull recipes to and from business systems
- Consistent controls and interfaces across all JBT equipment helps reduce both production inconsistencies and training costs
- Save costs with easier upgrades
- User manuals and technical documents available at the touch of a button
- Multiple languages are supported, including English, Spanish, German, French and others
- High-resolution touchscreen 16:9 LED backlight display (FHD)
- Stainless steel design

Compatible with:



Remote access

- Stay connected to your operation with HTML5 web-enabled desktop, tablet or smart device connectivity
- View the entire production process from your desktop
- Secure remote viewer does not require an internet browser
- Respond to changes proactively with live yield and downtime alerts, regardless of location

Secure

- Limit access for local and remote users
- Active directory compatibility
- Protect data and other operations with optional redundant servers and interface stations
- Collect process information, including connectivity to all industry standard databases

Superior communication

- Be alerted automatically when attention or service is required
- Minimize process interruptions with email and text notifications
- Connect easily to ERP and MES systems using a relational database with enterprise integration
- Easily customize the trend display, print, export, scale and zoom display options
- Automatically archive or print details of events and alarms

Improve uptime

- Detailed and simplified navigation direct immediately to appropriate solution
- Process data for fast accurate analysis with the powerful trend curves display
- Operate individual machines or processing lines with recipe control for the most efficient production
- Voltage Segregation Technology, the industry's only compartmentalized self-draining, NEMA 4X, stainless steel control panel
- Access in-depth motor performance data with variable-speed drives on Ethernet with CAT 3 safety
- Solid state memory means no moving media
- Eliminates need for enclosure cooling with the lowest power dissipation

