



AGV

Forkover Automatic
Guided Vehicle



Small footprint, big maneuverability

Our forkover AGVs improve efficiency and safety throughout your facility.

Ideal for moving in tight spaces, our forkover automatic guided vehicle (AGV) handle loads with ease. Particularly well-suited for transporting Euro-pallets, wire baskets, and other open-bottom containers, forkover AGVs reliably deliver goods. The legs on these AGVs are placed directly beneath loads, providing the stability necessary for dependability. Our forkover AGVs also come standard with 360° obstacle detection and safety systems to protect the employees in your facility. With the ability to interface with conveyors, racking, and stands, our forkover AGVs perform typical forklift operations more efficiently.

Features & Benefits

Small footprint for greater mobility

Available lifting capacity up to 9' (2.9m) high

Capacity up to 2,600lbs (1,200kg)

Interfaces with other automated and manual equipment

Stabilizing legs for reliable transport

360° obstacle detection

Compact design navigates tight spaces

Capable of handling various load types



Area of Application

Built for efficiency, our forkover AGVs can navigate through even the tightest areas. They adapt to operational changes and excel in handling Euro-pallets and other open-bottom containers. With forkover AGVs, you receive a flexible solution to your specific material handling challenges and needs.

TECHNICAL SPECIFICATIONS

DRIVE	Electric drive
OPERATING POWER	48VDC, Battery-powered
BRAKES	Electromechanical
VEHICLE WEIGHT	2,028lbs (920kg) with battery
TRAVEL	Bi-directional; 2.0m/s (393ft/min)
CONTROL	Laser-guidance/natural (automatic); pendant controller (manual)
CARRYING CAPACITY	2,600lb (1,200kg)



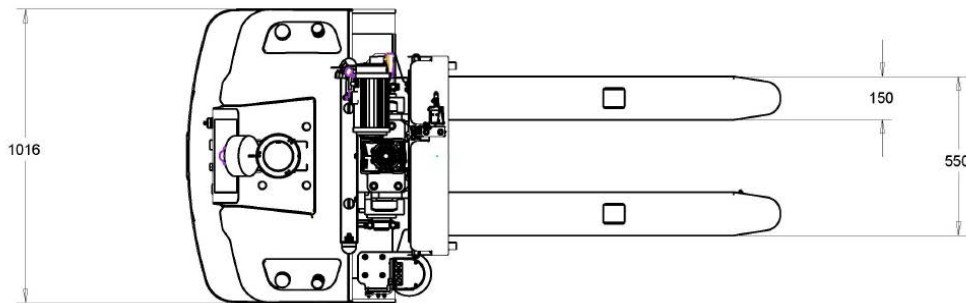
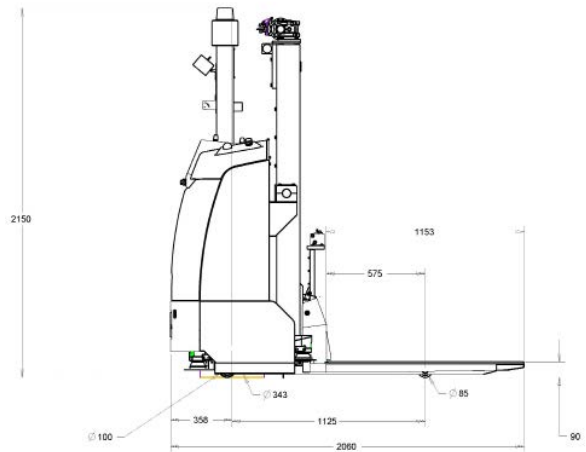
Red e-stop push buttons allow for immediate stops in case of emergencies.



Stabilizing legs balance loads to provide reliable deliveries.



Compact design reduces AGV's overall footprint, improving maneuverability in tight spaces.



© 2017 JBT. Subject to change without notice. 01•17 200

North America

John Bean Technologies Corp.
400 Highpoint Drive
Chalfont, PA 18914
USA
Phone +1 215 822 4600
Fax +1 215 822
sgv.sales@jbt.com

Latin America

John Bean Technologies Corp.
Av. Eng. Camilo Dinucci 4605
Il Distrito Industrial - 14808-900
Araraquara, Brasil
+55 16 3301 2000
latinamerica.info@jbt.com

Europe

John Bean Technologies Ltd.
Unit IV Winchester Avenue
Blaby Industrial Park
Blaby Leicester, UK LE8 4GZ
Phone +44 116 264 2250
Fax +44 116 264 2279
uksgvsales@jbt.com

